

# SUPERWINCH®



## REPLACEMENT PARTS AND SERVICE PARTS KITS



**ROPE  
TENSIONER**



**HAWSE  
FAIRLEAD**



**ROLLER  
FAIRLEAD**



**WIRE  
ROPE**

# TABLE OF CONTENTS



## SX SERIES WINCH

SX10 Winch .....	3
SX10SR Winch .....	3
SX12 Winch .....	3
SX12SR Winch .....	3
SX Winch Assembly .....	4
SX Winch Diagram .....	5

## TIGER SHARK SERIES

Tiger Shark 9500 Winch .....	6
Tiger Shark 9500SR Winch .....	6
Tiger Shark 11500 Winch .....	6
Tiger Shark 11500SR Winch .....	6
Tiger Shark 9500/11500 General Assembly .....	7
Tiger Shark 9500/11500 General Diagram .....	8
Tiger Shark 15000 Winch .....	9
Tiger Shark 15000SR Winch .....	9
Tiger Shark 15000 General Assembly .....	10
Tiger Shark 15000 General Diagram .....	11
Tiger Shark 15000 Motor End Assembly .....	12
Tiger Shark 15000 Gearbox End Assembly .....	13
Tiger Shark 18000 Winch .....	14
Tiger Shark 18000SR Winch .....	14
Tiger Shark 18000 General Assembly .....	15
Tiger Shark 18000 General Diagram .....	16
Tiger Shark 18000 Motor End Assembly .....	17
Tiger Shark 18000 Gearbox End Assembly .....	18

## TERRA SERIES

Terra 4500 Winch .....	19
Terra 4500SR Winch .....	19
Terra 3500 Winch .....	19
Terra 3500SR Winch .....	19
Terra 2500 Winch .....	19
Terra 2500SR Winch .....	19
Terra 4500/3500/2500 Winch Assembly .....	20
Terra 4500/3500/2500 Winch Diagram .....	21

## S SERIES

S5500 Winch .....	22
S5500SR Winch .....	22
S7500 Winch .....	22
S7500SR Winch .....	22
S5500/S7500 Winch Assembly .....	23
S5500/S7500 Assembly Diagram .....	24

## LT SERIES WINCH

LT 3000 Winch .....	25
LT 4000 Winch .....	25
LT 4000SR Winch .....	25
LT 3000/4000 Winch Assembly .....	26
LT 3000/4000 Gear box Assembly .....	27
LT 3000/4000 Motor Assembly .....	28
LT 3000/4000 Motor Diagram .....	29

## WINCH2GO SERIES

Winch2Go .....	30
Winch2GoSR .....	30
Winch2Go Winch Assembly .....	31
Winch2Go Gear box Assembly .....	32
Winch2Go Motor Assembly .....	33
Winch2Go Motor Diagram .....	34

## INDUSTRIAL

AC 1500 Winch .....	35
AC 1500 Winch Assembly .....	36
AC 1500 Assembly Diagram .....	37
Si 8/10/12/15 Winches .....	38
Si 8/10/12/15 Winch Assembly .....	39
Si 8/10/12/15 Assembly Diagram .....	40
Si 8/10/12 Gearbox/Drum Support Assembly .....	41
Si 8/10/12/15 Gearbox/Drum Support Assembly .....	42
Si 15 Gearbox/Drum Support Assembly .....	43
H8P Winch .....	44
H10P Winch .....	44
H8P and H10P General Assembly .....	45
H8P and H10P General Diagram .....	46

## REPLACEMENT PARTS

LP Series .....	47
LT 2000 Winch .....	47
SH1000 Hoist Series .....	47
UT 3000 Winch .....	47

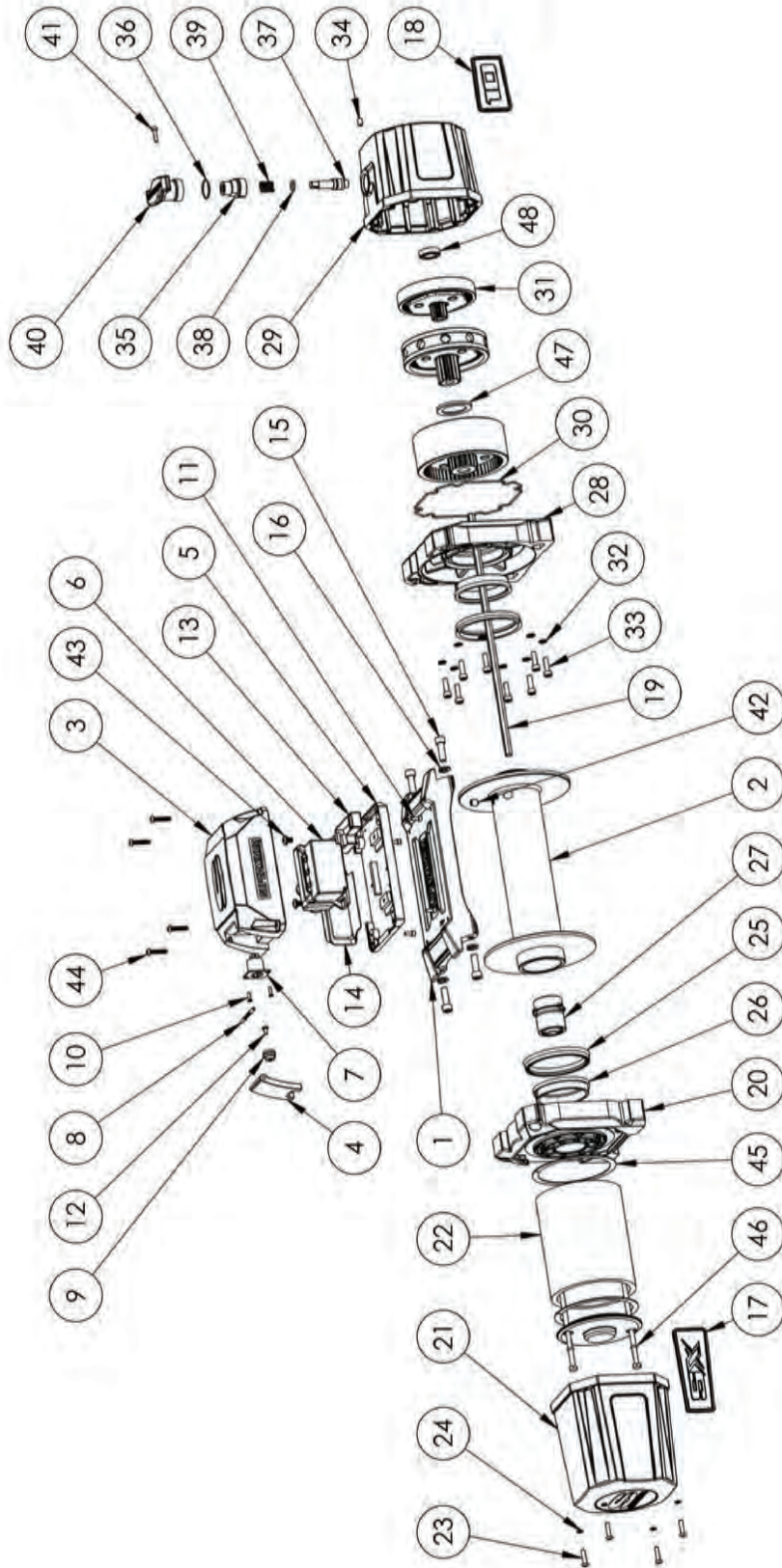
## WARRANTY POLICY

Superwinch Warranty Policy .....	48
----------------------------------	----

## SX SERIES SERVICE PARTS

		SX10	SX10SR	SX12	SX12SR
CONTENTS	DESCRIPTION	PART NUMBER			
3, 4, 5, 6, 7, 8, 9, 10, 11, 12, 14, 43, 44	Control Box Assembly	90-42642	90-42642	90-42642	90-42642
6	Contactora	90-32492	90-32492	90-32492	90-32492
34, 35, 36, 37, 38, 39, 40, 41	Clutch Assembly	90-42657	90-42657	90-42657	90-42657
22, 45, 46	Motor Assembly	90-42648	90-42648	90-42651	90-42651
7, 10	Remote Control Socket	90-42645	90-42645	90-42645	90-42645
9, 25, 26, 27, 30, 45, 46, 47, 48	Small Parts Kit	90-42660	90-42660	90-42660	90-42660
1	Tie Bar & Drum Light	90-41443	90-41443	90-41443	90-41443
N/A	Fairlead, Hawse (Not Shown)	N/A	90-41446	N/A	90-41446
N/A	Fairlead, Roller (Not Shown)	90-32493	N/A	90-32493	N/A
N/A	Hook (Not Shown)	90-42666	90-42666	90-42666	90-42666
N/A	Power Cable Kit (Not Shown)	90-42669	90-42669	90-42669	90-42669
N/A	Remote Control, Wired (Not Shown)	90-42654	90-42654	90-42654	90-42654
N/A	Remote, Wireless Control (Not Shown)	2277R	2277R	2277R	2277R
N/A	Rope, Steel Cable Wire (Not Shown)	90-24576	N/A	90-24576	N/A
N/A	Rope, Synthetic (Not Shown)	N/A	90-24595	N/A	90-24595

ITEM NO.	PART NUMBER	DESCRIPTION	QTY.
1	1710200-12-1	TIE BAR	1
2	1710200-13	DRUM, SX	1
3	1710200-15-1	LID, CONTROL BOX, SX	1
4	1710200-15-2	DUST COVER, SX	1
5	1710200-15-3	CONTROL BOX BASE, SX	1
6	1710200-15-4	CONTACTOR, 12VDC	1
7	1710200-15-5	SOCKET, REMOTE CONTROL	1
8	1710200-15-6	PIN - DUST COVER	1
9	1710200-15-8	SOCKET SEAL	1
10	1710200-15-12	SCREW, FLAT HEAD M3	2
11	1710200-15-11	SCREW, SOCKET HD M4	4
12	1710200-15-10	SCREW BUTTON HD M4-0.7*8MM	1
13	1710201-15-16 (SX10SR/SX12SR)	WIRELESS RECEIVER SX	1
14	1710200-15-17	INSERT, CONTROL BOX	1
15	1710200-16	SCREW, SOCKET, M8	4
16	4-51-0823	M8 SPRING WASHER	4
17	1710200-20	BADGE SX LOGO	1
18	1710200-21 (SX10/SX10SR) 1712200-20 (SX12/SX12SR)	BADGE SX-10 (SX10/SX10SR) BADGE SX-12 (SX12/SX12SR)	1
19	1710200-22	DRIVE SHAFT	1
20	1710200-11-3	DRUM SUPPORT - MOTOR END	1
21	1710200-11-1	MOTOR HOUSING	1
22	1710200-11-2 (SX10/SX10SR) 1712200-1-12 (SX12/SX12SR)	MOTOR, 12V, 5.5 HP (SX10/SX10SR) MOTOR, 12V, 6.0 HP (SX12/SX12SR)	1
23	1710200-11-4	SCREW, BUTTON HEAD, M5-0.8 X 20MM	4
24	1710200-11-5	WASHER-M5 SPRING	4
25	1710200-11-9	GASKET, DRUM SUP-DRUM	2
26	1710200-11-10	DRUM-BEARING	2
27	1710200-11-8	BRAKE	1
28	1710200-14-2	DRUM SUPPORT, GEAR BOX END	1
29	1710200-14-1	GEAR BOX SX	1
30	1710200-14-7	GASKET, GEARBOX-DRUM SUPPORT	1
31	1710200-14-4	GEAR TRAIN, SX	1
32	1710200-14-10	WASHER, SPRING M6	8
33	1710200-14-3	SCREW, SOCKET HEAD M6	8
34	1710200-14-11	SET SCREW, M6	1
35	1710200-14-5-1	CLUTCH BASE	1
36	1710200-14-5-2	O-RING, 23MM I.D.	1
37	1710200-14-5-3	CLUTCH PIN	1
38	1710200-14-5-4	O-RING, 11MM I.D.	1
39	1710200-14-5-5	SPRING, CLUTCH	1
40	1710200-14-5-6	CLUTCH HANDLE SX	1
41	1710200-14-5-7	SCREW, CAP HEAD M4	1
42	S102731	SET SCREW M8 X 1.25 - 10mm LONG	1
43	1710200-15-18	SCREW - PHILLIPS HEAD M6-1.0*8mm	2
44	1710200-17-2	SCREW - BUTTON HEAD M5-0.8 X 25mm	4
45	1710200-11-7	GASKET, MOTOR-DRUM SUPPORT	2
46	90-42660-3	O-RING, MOTOR BOLT	2
47	1710200-14-6	BALL BEARING, GEARBOX	1
48	90-42660-1	BUSHING, GEARBOX SX	1

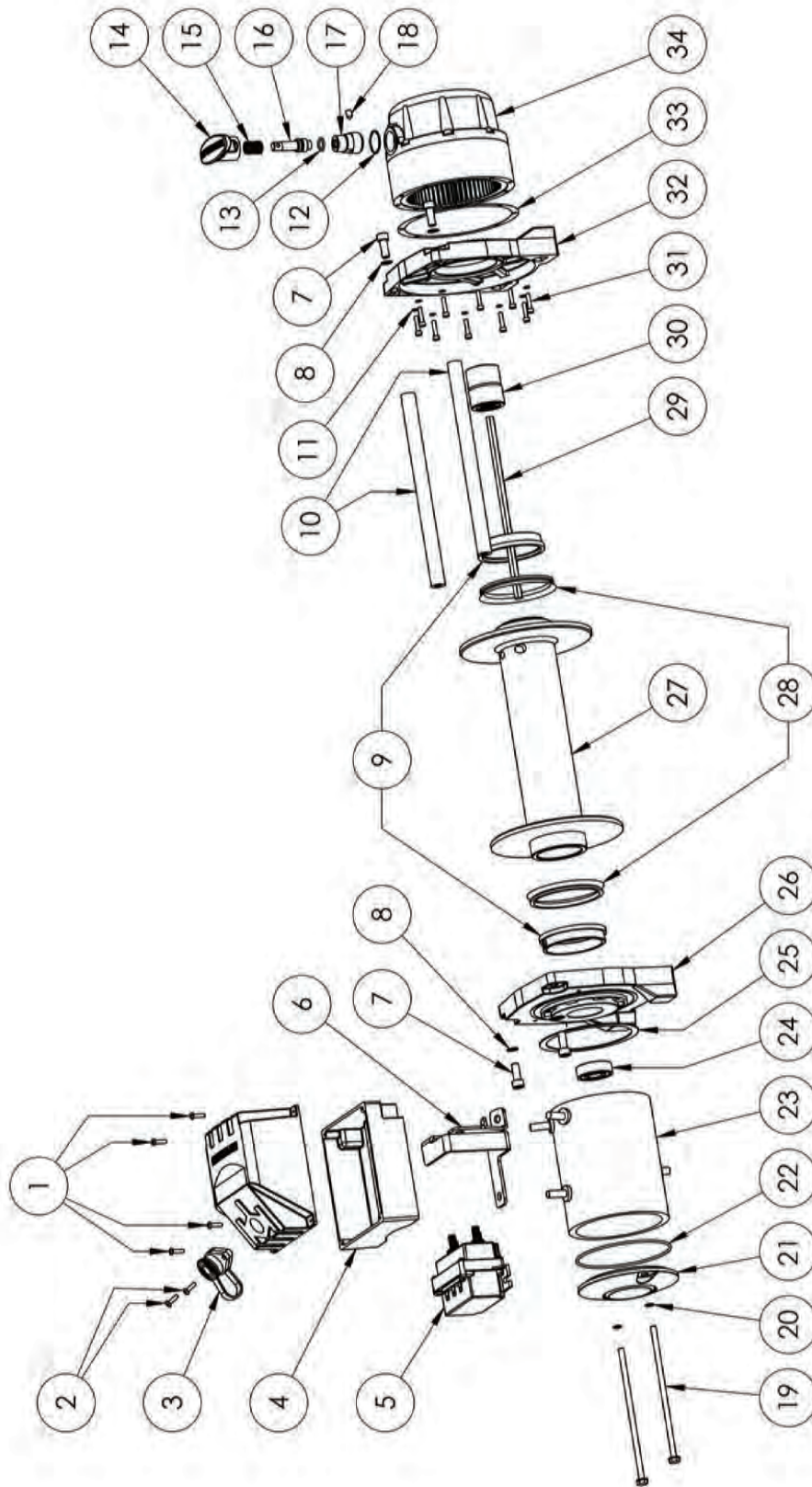


## MEDIUM FRAME TIGER SHARK SERVICE PARTS

TIGER SHARK 9500	TIGER SHARK 9500SR	TIGER SHARK 11500	TIGER SHARK 11500SR
------------------	--------------------	-------------------	---------------------

CONTENTS	DESCRIPTION	PART NUMBER			
5	Contactora	90-32492	90-32492	90-32492	90-32492
1, 4	Control Box Housing	90-41436	90-41436	90-41436	90-41436
12, 13, 14, 15, 16, 17, 18	Manual Clutch Assembly	90-24571	90-24571	90-24571	90-24571
19, 20, 21, 22, 23, 24, 25, 26, 30	12V Winch Motor Assembly	90-32513	90-32513	90-32514	90-32514
3	Remote Socket Assembly	90-24573	90-24573	90-24573	90-24573
9, 20, 22, 24, 25, 28, 30, 33	Small Parts Kit (Includes Brake)	90-41438	90-41438	90-41438	90-41438
N/A	Circuit Breaker (Not Shown)	2124800	2124800	2124800	2124800
N/A	Fairlead, Roller (Not Shown)	90-32493	N/A	90-32493	N/A
N/A	Fairlead, Hawse (Not Shown)	N/A	90-24572	N/A	90-24572
N/A	Rope, Steel Cable Wire (Not Shown)	90-24575	N/A	90-24576	N/A
N/A	Rope, Synthetic (Not Shown)	N/A	90-24595	N/A	90-24595
N/A	Wired Remote Control (Not Shown)	2274	2274	2274	2274

ITEM NO.	PART NUMBER	DESCRIPTION	QTY.
1	N/A	SCREW, PHILLIPS PAN HEAD	4
2	N/A	SCREW, PHILLIPS FLANGED HEAD	2
3	90-24573	REMOTE SOCKET ASSEMBLY	1
4	N/A	CONTROL BOX BASE	1
5	90-32492	12V WINCH SOLENOID	1
6	90-32491	BUSS BARS	1
7	N/A	SCREW, M8-1.25 X 25MM CAP HEAD	4
8	N/A	WASHER, M8 SPRING	4
9	1710200-11-10	DRUM-BEARING	2
10	1595200-3	TIE BAR, ROUND	2
11	N/A	WASHER, M4 SPRING	10
12	N/A	O-RING, CLUTCH SMALL	1
13	N/A	O-RING, CLUTCH LARGE	1
14	N/A	CLUTCH HANDLE	1
15	N/A	CLUTCH SPRING	1
16	N/A	CLUTCH PIN	1
17	N/A	CLUTCH BASE	1
18	N/A	SCREW, M6-1.0 X 10MM SET	1
19	N/A	SCREW, MOTOR	2
20	90-42660-3	O-RING, MOTOR BOLT	2
21	N/A	LID, MOTOR END	1
22	90-41438-12	O-RING, MOTOR	1
23	N/A	MOTOR, STATOR	1
24	1710200-11-6	BALL BEARING	1
25	1710200-11-7	GASKET, MOTOR-DRUM SUPPORT	1
26	90-42638	DRUM SUPPORT, MOTOR END	1
27	90-42639	DRUM	1
28	1710200-11-9	GASKET, DRUM SUP-DRUM	2
29	90-24596	DRIVE SHAFT	1
30	90-32512	BRAKE	1
31	N/A	SCREW, M4-0.7 CAP HEAD	10
32	90-41433	DRUM SUPPORT, GEARBOX END	1
33	90-41438-11	GASKET, GEARBOX	1
34	90-41432	GEARBOX ASSEMBLY	1



Tiger Shark 9500/9500SR/11500/11500SR

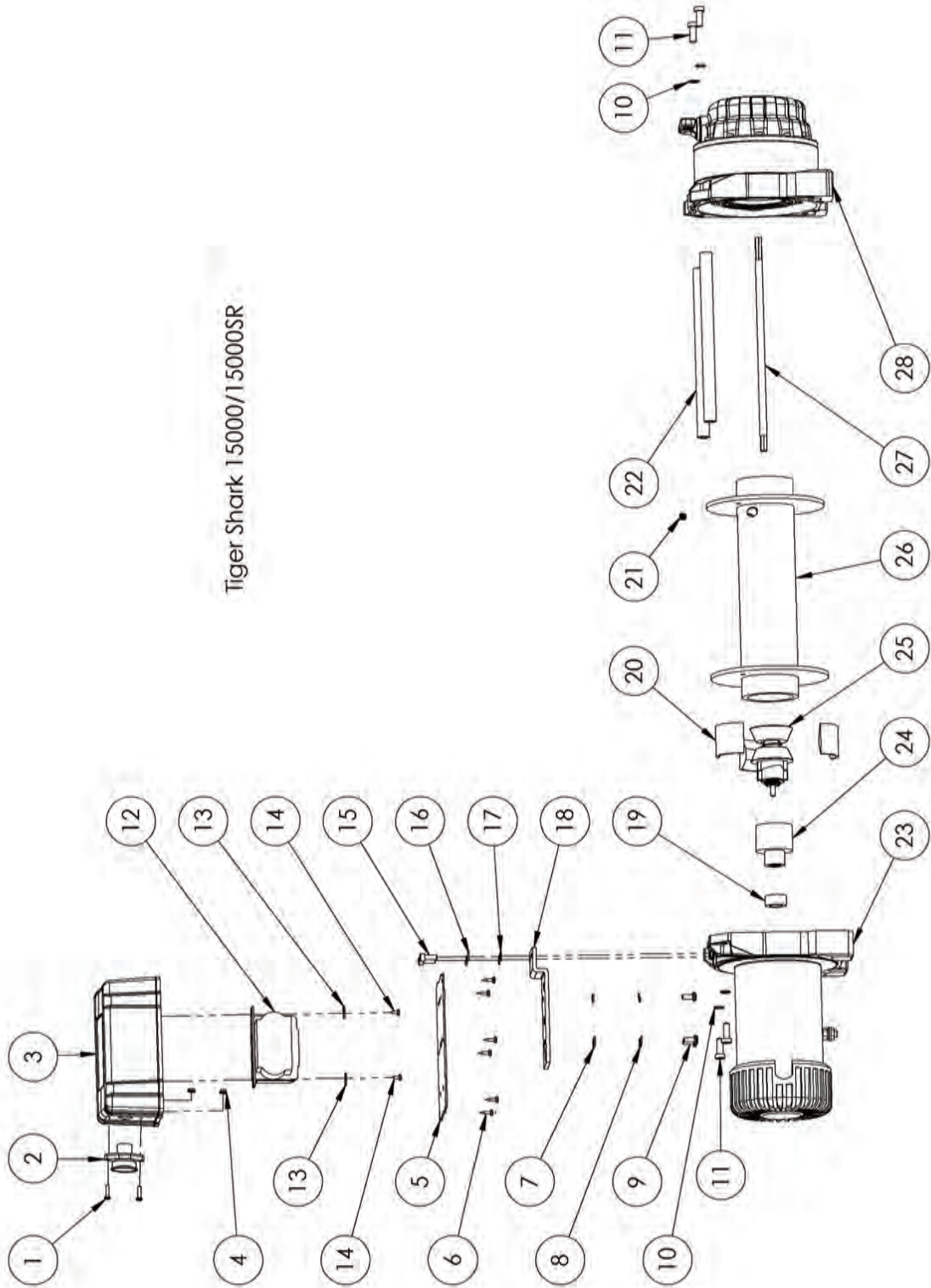


## LARGE FRAME TIGER SHARK SERVICE PARTS

DESCRIPTION	TIGER SHARK 15000		TIGER SHARK 15000SR	
	PART NUMBER	CONTENTS	PART NUMBER	CONTENTS
Power Cables	90-42661	Not Shown	90-42661	Not Shown
Contactors	90-42658	12	90-42658	12
Control Box Assembly (Includes Contactor)	90-42643	1, 2, 3, 4, 5, 6, 7, 8, 9, 12, 13, 14, 15, 16, 17, 18	90-42643	1, 2, 3, 4, 5, 6, 7, 8, 9, 12, 13, 14, 15, 16, 17, 18
Clutch Assembly	90-42745	54, 55, 56	90-42745	54, 55, 56
Hook Assembly	90-42655	Not Shown	90-42655	Not Shown
Motor Assembly	90-42646	29, 30, 31, 32, 33, 34, 35, 37, 38, 39, 40, 41, 42, 43, 44, 45	90-42646	29, 30, 31, 32, 33, 34, 35, 37, 38, 39, 40, 41, 42, 43, 44, 45
Small Parts Kit (Includes Brake Assembly)	90-42746	20, 21, 25, 31, 35, 38, 39, 40, 45, 46, 48, 52, 55, 56, 61	90-42746	20, 21, 25, 31, 35, 38, 39, 40, 45, 46, 48, 52, 55, 56, 61
Remote Socket Assembly	90-24581	Not Shown	90-24581	Not Shown
Hawse Fairlead (Not Shown)	N/A	Not Shown	90-41446, 90-42663	Not Shown
Roller Fairlead (Not Shown)	S100507	Not Shown	N/A	Not Shown
Synthetic Winch Rope (Not Shown)	N/A	Not Shown	90-24601	Not Shown
Wired Remote Control (Not Shown)	2275	Not Shown	2275	Not Shown
Wire Winch Rope (Not Shown)	90-24602	Not Shown	N/A	Not Shown

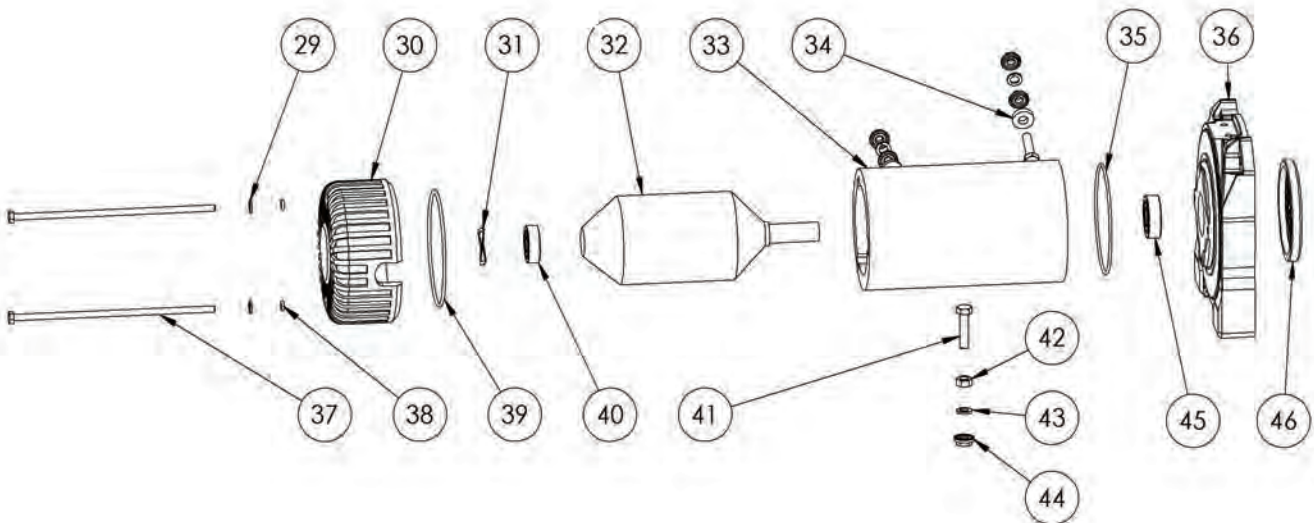
ITEM NO.	PART NUMBER	DESCRIPTION	QTY.
1	1518000-1-10-19	Screw, Pan Head Phillips M4-0.7 X 16mm	2
2	1518000-1-10-4	Socket	1
3	1518000-1-10-3	Lid, Control Box	1
4	1518000-1-10-20	Serrated Flange Nut, M4-0.7	2
5	1518000-1-10-1	Plate, Control Box Base	1
6	1518000-1-10-18	Screw, Pan Head Phillips	6
7	1515000-1-10-16	Flat Washer, M6	3
8	1515000-1-10-15	Split Lock Washer, M6	3
9	1515000-1-10-14	Screw, Pan Head Phillips M6 X 13mm	3
10	1518000-1-12	Split Lock Washer, M8	4
11	1518000-1-11	Screw, Socket Head M8-1.25 X 25mm	4
12	1518000-1-10-5	Contactora, 12V	1
13	1518000-1-10-22	Retaining Plate	2
14	1518000-1-10-21	Screw, Pan Head Phillips	2
15	N/A	Screw, Socket Head M6-1.0 X 16mm	2
16	N/A	Split Lock Washer, M6	2
17	N/A	Flat Washer, M6	2
18	1518000-1-10-2	Bracket, Control Box	1
19	1515000-1-14	Spacer, Motor Adapter	1
20	1518000-1-7	Brake Pad	3
21	1515000-1-13	Screw, Set M8-1.25 X 8mm	1
22	1515000-1-3	Tie Bar	2
23	1515000-1-1	Motor End Assembly	1
24	1518000-1-8	Adapter, Brake-Motor	1
25	1515000-1-6	Cone Brake Actuator Assembly	1
26	1515000-1-4	Drum	1
27	1515000-1-5	Drive Shaft	1
28	1515000-1-9	Gearbox End Assembly	1

Tiger Shark 15000/15000SR



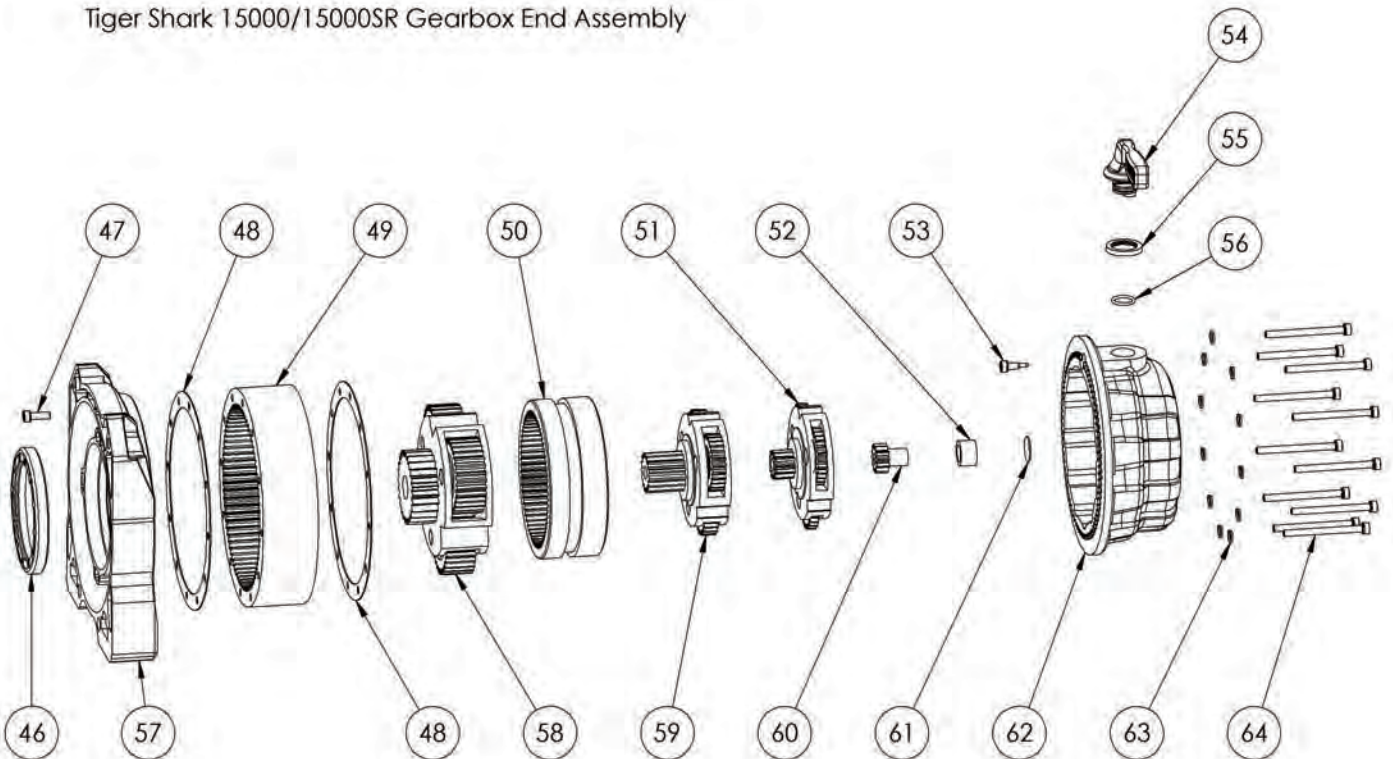
ITEM NO.	PART NUMBER	DESCRIPTION	QTY.
29	1518000-1-1-11	Flat Washer, M6	2
30	1518000-1-1-9	Motor Cap	1
31	1515000-1-1-12	Spacer, Ball Bearing	1
32	1518000-1-1-7	Armature	1
33	1518000-1-1-6	Motor Housing (Includes Stator)	1
34	1518000-1-1-14 1518000-1-1-15 1518000-1-1-16	Insulator, Red Insulator, Black Insulator, Yellow	1 1 1
35	1518000-1-1-8	Motor Seal	1
36	1515000-1-1-2 (P#'s 1515000, 1515001) 1518000-1-1-2 (P#'s 1518000, 1518001)	Drum Support, Motor End	1
37	1518000-1-1-10	Screw, Hex Head M6-1.0 X 190mm	2
38	1518000-1-1-12	O-Ring, Motor Bolt	2
39	1518000-1-1-81	Motor End Seal	1
40	1515000-1-1-11	Ball Bearing	1
41	1518000-1-1-13	Motor Terminal	4
42	1518000-1-1-17	Hex Nut, M8-1.25	1
43	1518000-1-1-19	Splitlock Washer, M8	4
44	1518000-1-1-18	Serrated Flange Nut, M8	7
45	1518000-1-1-4	Roller Bearing, Motor	1
46	1515000-1-1-3 (P#'s 1515000, 1515001) 1518000-1-1-3 (P#'s 1518000, 1518001)	Seal, Drum Support	1

Tiger Shark 15000/15000SR/18000/18000SR Motor End Assembly



ITEM NO.	PART NUMBER	DESCRIPTION	QTY.
46	1515000-1-1-3	Seal, Drum Support	1
47	1515000-1-9-17	Screw, Socket Head M5-0.8x15mm	1
48	1515000-1-9-2	Face Seal	2
49	1515000-1-9-3	Ring Gear, 3rd Stage	1
50	1515000-1-9-4	Ring Gear, 1st/2nd Stage	1
51	1515000-1-9-10	1st Stage Planetary Assembly	1
52	1515000-1-9-9	Bushing, Gear Box	1
53	1515000-1-9-18	Screw, Clutch M5	1
54	1515000-1-9-13	Clutch	1
55	1515000-1-9-20	Gasket, Clutch	1
56	1515000-1-9-19	O-Ring, Clutch	1
57	1515000-1-9-1	Drum Support, Gearbox End	1
58	1515000-1-9-12	3rd Stage Planetary Assembly	1
59	1515000-1-9-11	2nd Stage Planetary Assembly	1
60	1515000-1-9-5	Sun Gear, 1st Stage	1
61	90-42746-13	Spacer Plate	1
62	1515000-1-9-6	Gearbox	1
63	1515000-1-9-16	Split Lock Washer, M5	11
64	1515000-1-9-15	Screw, Socket Head M5-0.8x60mm	11

Tiger Shark 15000/15000SR Gearbox End Assembly

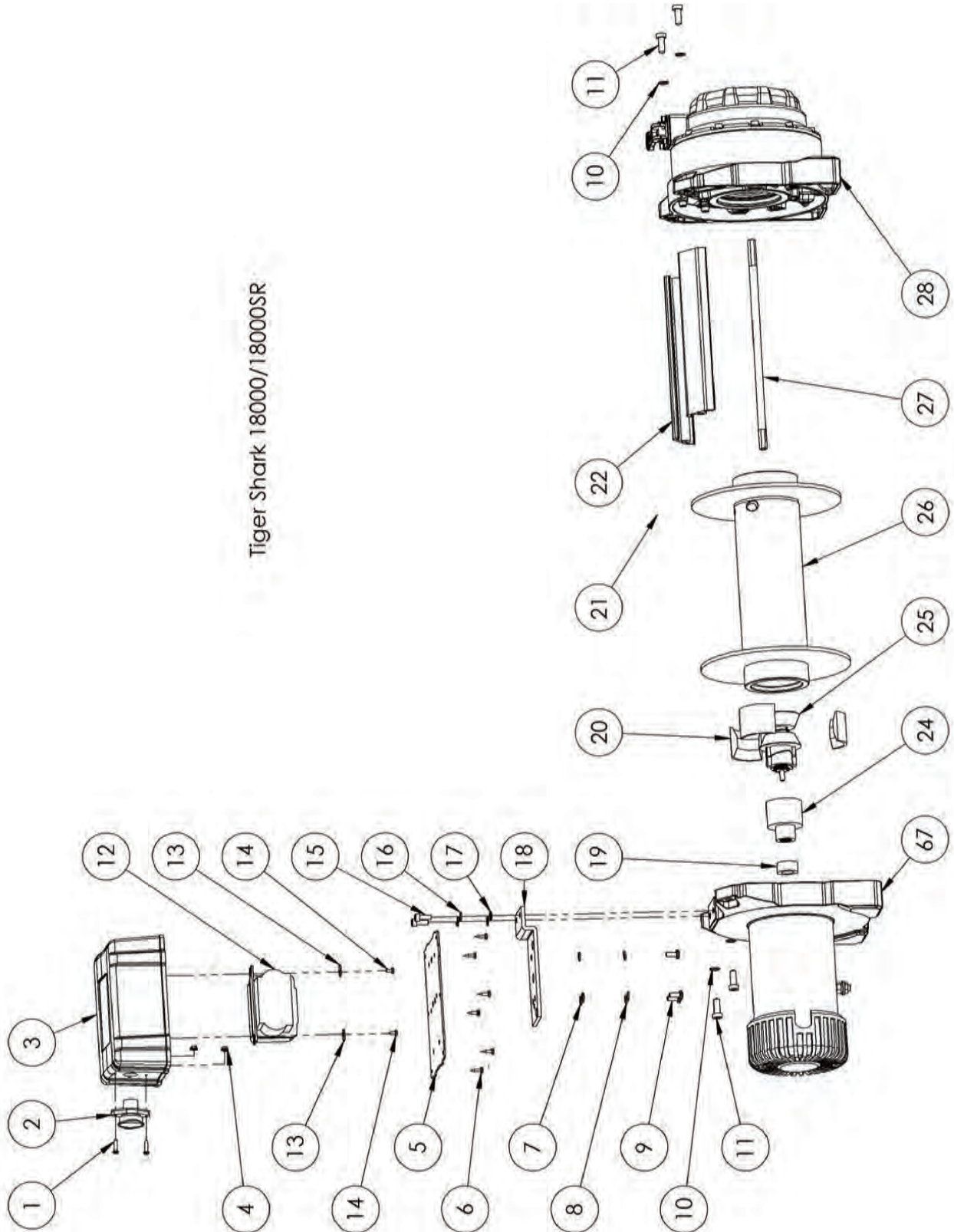


## LARGE FRAME TIGER SHARK SERVICE PARTS

DESCRIPTION	TIGER SHARK 18000		TIGER SHARK 18000SR	
	PART NUMBER	CONTENTS	PART NUMBER	CONTENTS
Power Cables	90-42661	Not Shown	90-42661	Not Shown
Contactora	90-42658	12	90-42658	12
Control Box Assembly (Includes Contactora)	90-42643	1, 2, 3, 4, 5, 6, 7, 8, 9, 12, 13, 14, 15, 16, 17, 18	90-42643	1, 2, 3, 4, 5, 6, 7, 8, 9, 12, 13, 14, 15, 16, 17, 18
Clutch Assembly	90-42649	78, 79, 81, 82, 83, 84, 85, 86	90-42649	78, 79, 81, 82, 83, 84, 85, 86
Hook Assembly	90-42655	Not Shown	90-42655	Not Shown
Motor Assembly	90-42646	29, 30, 31, 32, 33, 34, 35, 37, 38, 39, 40, 41, 42, 43, 44, 45	90-42646	29, 30, 31, 32, 33, 34, 35, 37, 38, 39, 40, 41, 42, 43, 44, 45
Small Parts Kit (Includes Brake Assembly)	90-42652	20, 21, 25, 31, 35, 38, 39, 40, 45, 46, 65, 68, 73, 77, 83, 85	90-42746	20, 21, 25, 31, 35, 38, 39, 40, 45, 46, 65, 68, 73, 77, 83, 85
Remote Socket Assembly	90-24581	Not Shown	90-24581	Not Shown
Hawse Fairlead (Not Shown)	N/A	Not Shown	90-41446, 90-42663	Not Shown
Roller Fairlead (Not Shown)	S100507	Not Shown	N/A	Not Shown
Synthetic Winch Rope (Not Shown)	N/A	Not Shown	90-24598	Not Shown
Wired Remote Control (Not Shown)	2275	Not Shown	2275	Not Shown
Wire Winch Rope (Not Shown)	90-24563	Not Shown	N/A	Not Shown

ITEM NO.	PART NUMBER	DESCRIPTION	QTY.
1	1518000-1-10-19	Screw, Pan Head Phillips M4-0.7 X 16mm	2
2	1518000-1-10-4	Socket	1
3	1518000-1-10-3	Lid, Control Box	1
4	1518000-1-10-20	Serrated Flange Nut, M4-0.7	2
5	1518000-1-10-1	Plate, Control Box Base	1
6	1518000-1-10-18	Screw, Pan Head Phillips	6
7	1515000-1-10-16	Flat Washer, M6	3
8	1515000-1-10-15	Split Lock Washer, M6	3
9	1515000-1-10-14	Screw, Pan Head Phillips M6 X 13mm	3
10	1518000-1-12	Split Lock Washer, M8	4
11	1518000-1-11	Screw, Socket Head M8-1.25 X 25mm	4
12	1518000-1-10-5	Contactor, 12V	1
13	1518000-1-10-22	Retaining Plate	2
14	1518000-1-10-21	Screw, Pan Head Phillips	2
15	N/A	Screw, Socket Head M6-1.0 X 16mm	2
16	N/A	Split Lock Washer, M6	2
17	N/A	Flat Washer, M6	2
18	1518000-1-10-2	Bracket, Control Box	1
19	1515000-1-14	Spacer, Motor Adapter	1
20	1518000-1-7	Brake Pad	3
21	1515000-1-13	Screw, Set M8-1.25 X 8mm	1
22	1515000-1-3	Tie Bar	2
23	1515000-1-1	Motor End Assembly	1
24	1518000-1-8	Adapter, Brake-Motor	1
25	1515000-1-6	Cone Brake Actuator Assembly	1
26	1515000-1-4	Drum	1
27	1515000-1-5	Drive Shaft	1
28	1515000-1-9	Gearbox End Assembly	1

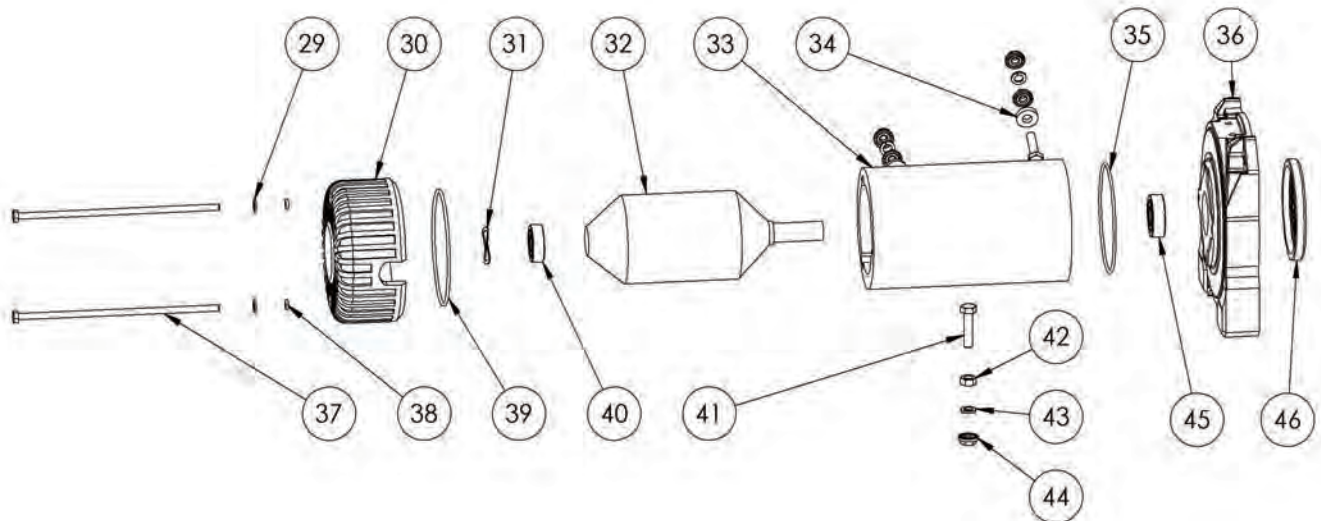
Tiger Shark 18000/18000SR



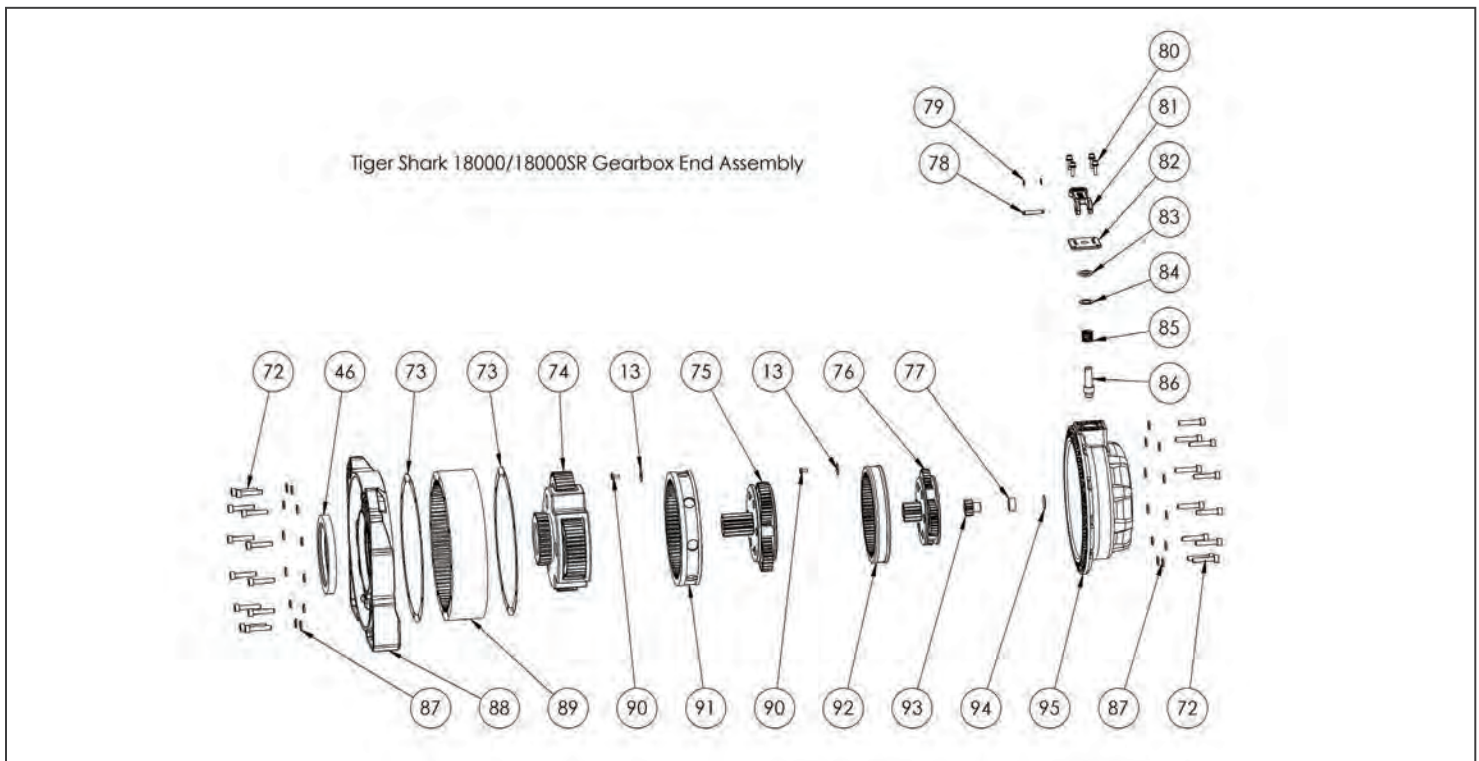


ITEM NO.	PART NUMBER	DESCRIPTION	QTY.
29	1518000-1-1-11	Flat Washer, M6	2
30	1518000-1-1-9	Motor Cap	1
31	1515000-1-1-12	Spacer, Ball Bearing	1
32	1518000-1-1-7	Armature	1
33	1518000-1-1-6	Motor Housing (Includes Stator)	1
34	1518000-1-1-14 1518000-1-1-15 1518000-1-1-16	Insulator, Red Insulator, Black Insulator, Yellow	1 1 1
35	1518000-1-1-8	Motor Seal	1
36	1515000-1-1-2 (P#'s 1515000, 1515001) 1518000-1-1-2 (P#'s 1518000, 1518001)	Drum Support, Motor End	1
37	1518000-1-1-10	Screw, Hex Head M6-1.0 X 190mm	2
38	1518000-1-1-12	O-Ring, Motor Bolt	2
39	1518000-1-1-81	Motor End Seal	1
40	1515000-1-1-11	Ball Bearing	1
41	1518000-1-1-13	Motor Terminal	4
42	1518000-1-1-17	Hex Nut, M8-1.25	1
43	1518000-1-1-19	Splitlock Washer, M8	4
44	1518000-1-1-18	Serrated Flange Nut, M8	7
45	1518000-1-1-4	Roller Bearing, Motor	1
46	1515000-1-1-3 (P#'s 1515000, 1515001) 1518000-1-1-3 (P#'s 1518000, 1518001)	Seal, Drum Support	1

Tiger Shark 15000/15000SR/18000/18000SR Motor End Assembly



ITEM NO.	PART NUMBER	DESCRIPTION	QTY.
13	1518000-1-10-22	Face Seal	1
46	1518000-1-1-3	Seal, Drum Support	1
72	1518000-1-9-14	Ring Gear Bolts	23
73	1518000-1-9-2	Ring Gear Gasket	2
74	1518000-1-9-12	3rd Stage Planetary Assembly	1
75	1518000-1-9-11	2nd Stage Planetary Assembly	1
76	1518000-1-9-10	1st Stage Planetary Assembly	1
77	1518000-1-9-9	Bushing, Gear Box	1
78	1518000-1-9-135	Retaining Pin, Clutch	1
79	1518000-1-9-136	Snap Ring, 4mm OD	2
80	1518000-1-9-21	Screw, Socket Head M4 SEMS	4
81	1518000-1-9-131	Clutch Handle	1
82	1518000-1-9-132	Clutch Mounting Plate	1
83	1518000-1-9-137	Gasket, Clutch	1
84	1518000-1-9-138	Washer, Clutch	1
85	1518000-1-9-134	Spring, Clutch	1
86	1518000-1-9-133	Clutch Pin	1
87	1518000-1-9-15	Splitlock Washer, M6	23
88	1518000-1-9-1	Drum Support, Gearbox End	1
89	1518000-1-9-3	Ring Gear, 3rd Stage	1
90	1518000-1-9-22	Screw, Pan Head Phillips M4-0.5 X 8mm	2
91	1518000-1-9-4	Ring Gear, 2nd Stage	1
92	1518000-1-9-5	Ring Gear, 1st Stage	1
93	1518000-1-9-6	Sun Gear, 1st Stage	1
94	90-42652-11	Spacer Plate	1
95	1518000-1-9-7	Gearbox	1



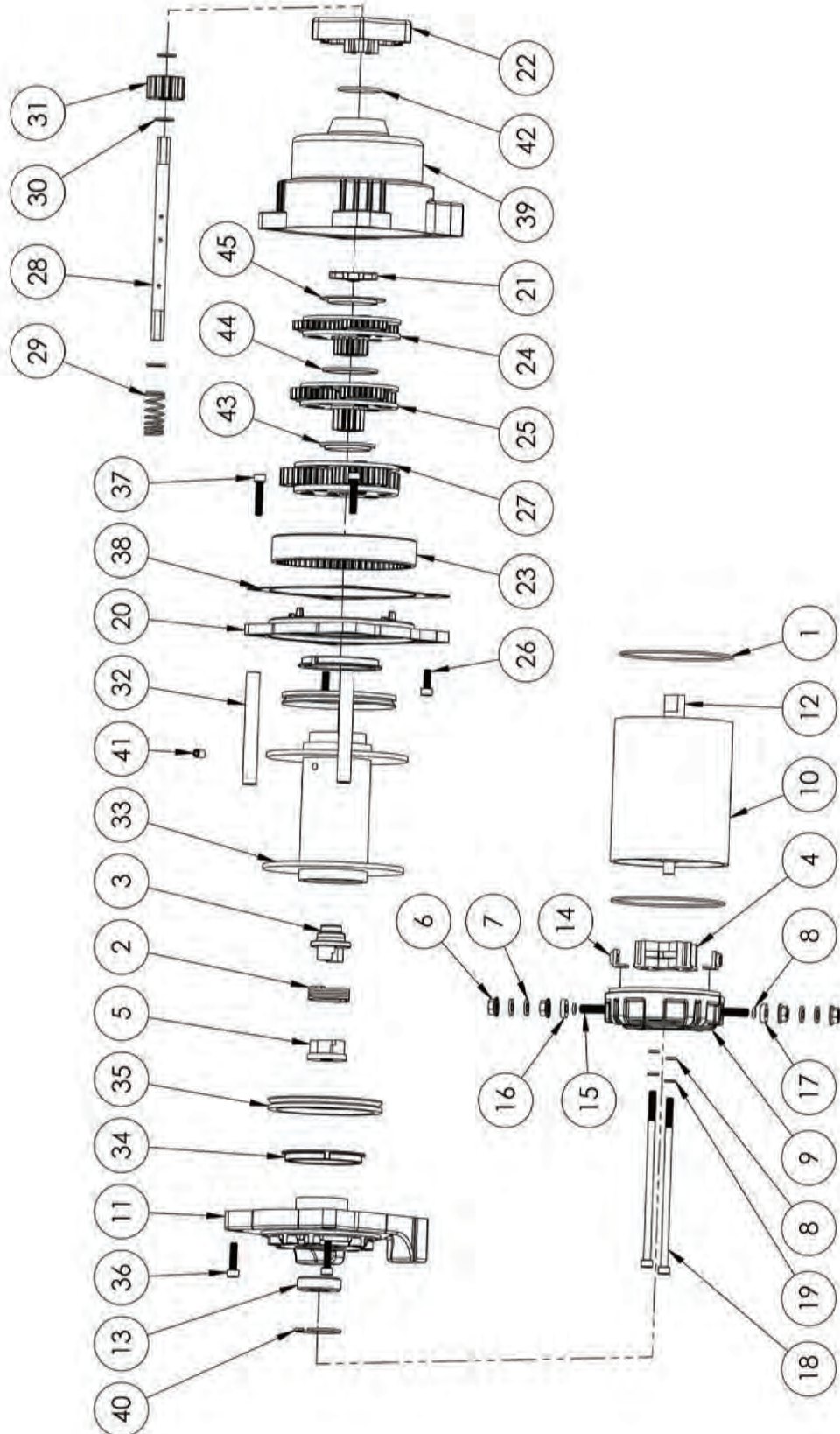
## TERRA SERIES\* SERVICE PARTS

		<b>TERRA 2500</b> Part # 1125260	<b>TERRA 2500SR</b> Part # 1125270	<b>TERRA 3500</b> Part # 1135260	<b>TERRA 3500SR</b> Part # 1135270	<b>TERRA 4500</b> Part # 1145260	<b>TERRA 4500SR</b> Part # 1145270
<b>CONTENTS</b>	<b>DESCRIPTION</b>	<b>PART NUMBER</b>					
1, 2, 3, 4, 5, 6, 7, 8, 9, 10, 11, 12, 13, 14, 15, 16, 17, 18, 19, 40	Motor Assembly	90-42672	90-42672	90-42675	90-42675	90-42678	90-42678
1, 8, 13, 29, 32, 34, 35, 38, 40, 42, 43, 44, 45	Small Parts Kit	90-42693	90-42693	90-42693	90-42693	90-42693	90-42693
N/A	Circuit Breaker (Not Shown)	87-14541	87-14541	87-14541	87-14541	87-14541	87-14541
N/A	Contactors (Not Shown)	90-42681	90-42681	90-42681	90-42681	90-42681	90-42681
N/A	Handlebar Switch (Not Shown)	90-42687	90-42687	90-42687	90-42687	90-42687	90-42687
N/A	Fairlead, Hawse (Not Shown)	87-42619	87-42619	87-42619	87-42619	87-42620	87-42620
N/A	Fairlead, Roller (Not Shown)	87-41340-01	87-41340-01	87-41340-01	87-41340-01	87-41340	87-41340
N/A	Power Cable Kit (Not Shown)	90-42684	90-42684	90-42684	90-42684	90-42684	90-42684
N/A	Remote Control (Not Shown)	2275	2275	2275	2275	2275	2275
N/A	Rope, Synthetic (Not Shown)	87-42613	87-42613	87-42613	87-42613	87-42614	87-42614
N/A	Rope, Steel Cable Wire (Not Shown)	87-42611	87-42611	87-42611	87-42611	87-42612	87-42612
N/A	Socket Assembly (Not Shown)	90-42690	90-42690	90-42690	90-42690	90-42690	90-42690

\*Service parts shown apply to the new generation Terra Winches only. DOES NOT apply to old Terra part numbers (1125220, 1125230, 1135220, 1135230, 1145220, and 1145230).

ITEM NO.	PART NUMBER	DESCRIPTION	QTY.
1	1125260-1-1-20	O-Ring, Motor	2
2	1125260-1-1-25 (Terra 2500/2500SR/3500/3500SR) 1145240-1-1-25 (Terra 4500/4500SR)	Spring, Brake UTV	1
3	1125260-1-1-27 (Terra 2500/2500SR/3500/3500SR) 1145240-1-1-27 (Terra 4500/4500SR)	Adapter, Driveshaft-Brake	1
4	1145240-1-1-9	Motor Contact Housing	1
5	1125260-1-1-26 (Terra 2500/2500SR/3500/3500SR) 1145240-1-1-26 (Terra 4500/4500SR)	Adapter, Motor-Brake	1
6	1145240-1-1-17	Nut, Serrated Flange M6	4
7	1125260-11-6	Washer, Flat M6	4
8	1125260-1-1-29	O-Ring, 8mm O.D.	4
9	1125260-1-1-13	Motor Cap	1
10	1125260-1-1-5	Stator - Permanent Magnet	1
11	1125260-1-1-1 (Terra 2500/2500SR/3500/3500SR) 1145260-1-1-1 (Terra 4500/4500SR)	Drum Support - Motor End UTV	1
12	1125260-1-1-6 (Terra 2500/2500SR) 1135260-1-1-6 (Terra 3500/3500SR) 1145260-1-1-6 (Terra 4500/4500SR)	Rotor, UTV	1
13	1145240-1-1-7	Ball Bearing, 32mm O.D.	1
14	1145240-1-1-15	Retainer, Terminal Screw	2
15	1145240-1-1-16	Screw, Square Head M6	2
16	1125260-1-1-14	Insulator, Blue	1
17	1125260-1-1-28	Insulator, Yellow	1
18	1125260-1-1-18	Screw, Cap Head M5-0.8 x 125mm	2
19	1125260-11-5	Washer, Flat M5	2
20	1125260-1-3-3	Gearbox Plate	1
21	1125260-1-3-97	Clutch Mechanism	1
22	1125260-1-3-96	Clutch Handle	1
23	1125260-1-3-5	Ring Gear, 3rd Stage UTV	1
24	1125260-1-3-6 (Terra 2500/2500SR) 1135260-1-3-6 (Terra 3500/3500SR/4500/4500SR)	1st Stage Planetary Assembly	1
25	1125260-1-3-8 (Terra 2500/2500SR) 1135260-1-3-8 (Terra 3500/3500SR/4500/4500SR)	2nd Stage Planetary Assembly	1
26	1125260-1-3-4	Screw, Cap Head M5-0.8 x 14mm	2
27	1125260-1-3-9	3rd Stage Planetary Assembly	1
28	1125260-1-4-1 (Terra 2500/2500SR /3500/3500SR) 1145260-1-4-1 (Terra 4500/4500SR)	Drive Shaft	1
29	1125260-1-4-6	Spring, Clutch	1
30	1125260-1-4-4	Retaining Washer	3
31	1125260-1-4-3	Gear, Drum Hub	1
32	1125260-1-5 (Terra 2500/2500SR/3500/3500SR) 1145260-1-5 (Terra 4500/4500SR)	Tie Bar	2
33	1125260-1-8 (Terra 2500/3500) 1125270-1-8 (Terra 2500SR/3500SR) 1145260-1-8 (Terra 4500) 1125270-1-8 (Terra 4500SR)	Drum, Narrow Steel (Terra 2500/3500) Drum, Narrow Synthetic (Terra 2500SR/3500SR) Drum, Standard Steel (Terra 4500) Drum, Standard Synthetic (Terra 4500SR)	1
34	1145240-1-1-2	Drum Bearing	2
35	1145240-1-1-3	Drum Gasket	2
36	1125260-1-6	Screw, Cap Head M5-0.8 x 20mm	2
37	1125260-1-7	Screw, Cap Head M5-0.8 x 25mm	2
38	1125260-1-3-2	Face Seal, UTV	1
39	1125260-1-3-1	Gearbox/Drum Support	1
40	1125260-1-1-24	Snap Ring, 34mm ID Groove	1
41	1125260-1-9	Set Screw M6	1
42	90-42693-11	O-Ring, Clutch	1
43	1125260-1-3-95	Thrust Bearing, 3rd Stage	1
44	1125260-1-3-85 (Terra 2500/2500SR) 1135260-1-3-85 (Terra 3500/3500SR/4500/4500SR)	Thrust Bearing, 2nd Stage	1
45	1125260-1-3-65 (Terra 2500/2500SR) 1135260-1-3-65 (Terra 3500/3500SR/4500/4500SR)	Thrust Bearing, 1st Stage	1

Terra 2500/2500SR/3500/3500SR/4500/4500SR



# SUPERWINCH®

## SERVICE PARTS

# S SERIES

S5500, S5500SR, S7500, S7500SR WINCHES

	S5500		S5500SR		S7500		S7500SR	
DESCRIPTION	PART NUMBER	CONTENTS	PART NUMBER	CONTENTS	PART NUMBER	CONTENTS	PART NUMBER	CONTENTS
Small Parts Kit (Includes Brake Assembly)	90-42740	3, 8, 16, 24, 25, 38, 40, 41	90-42740	3, 8, 16, 24, 25, 38, 40, 41	90-42740	3, 8, 16, 24, 25, 38, 40, 41	90-42740	3, 8, 16, 24, 25, 38, 40, 41
Contactora	90-10880	42	90-10880	42	90-10880	42	90-10880	42
Clutch Assembly	90-42767	8, 9, 10, 11, 12, 13, 14, 15, 16	90-42767	8, 9, 10, 11, 12, 13, 14, 15, 16	90-42767	8, 9, 10, 11, 12, 13, 14, 15, 16	90-42767	8, 9, 10, 11, 12, 13, 14, 15, 16
Fairlead	89-42678	Not Shown	89-42678	Not Shown	89-42678	Not Shown	89-42678	Not Shown
Power Cables	90-42742	Not Shown	90-42742	Not Shown	90-42742	Not Shown	90-42742	Not Shown
Hook Assembly	90-42471	Not Shown	90-42471	Not Shown	90-42471	Not Shown	90-42471	Not Shown
Motor Assembly	90-42739	31, 32, 33, 39, 40, 41	90-42739	31, 32, 33, 39, 40, 41	90-42739	31, 32, 33, 39, 40, 41	90-42739	31, 32, 33, 39, 40, 41
Corded Remote Control	2271 (30 Ft.), 2272 (15 Ft.)	Not Shown	2271 (30 Ft.), 2272 (15 Ft.)	Not Shown	2271 (30 Ft.), 2272 (15 Ft.)	Not Shown	2271 (30 Ft.), 2272 (15 Ft.)	Not Shown
Remote Socket Assembly	90-14140	37	90-14140	37	90-14140	37	90-14140	37
Wire Winch Rope	89-24640	Not Shown	N/A	Not Shown	89-24640	Not Shown	N/A	Not Shown
Synthetic Winch Rope	N/A	Not Shown	89-24642	Not Shown	N/A	Not Shown	89-24642	Not Shown

# SUPERWINCH®

## ASSEMBLY

# S SERIES

S5500, S5500SR, S7500, S7500SR WINCHES

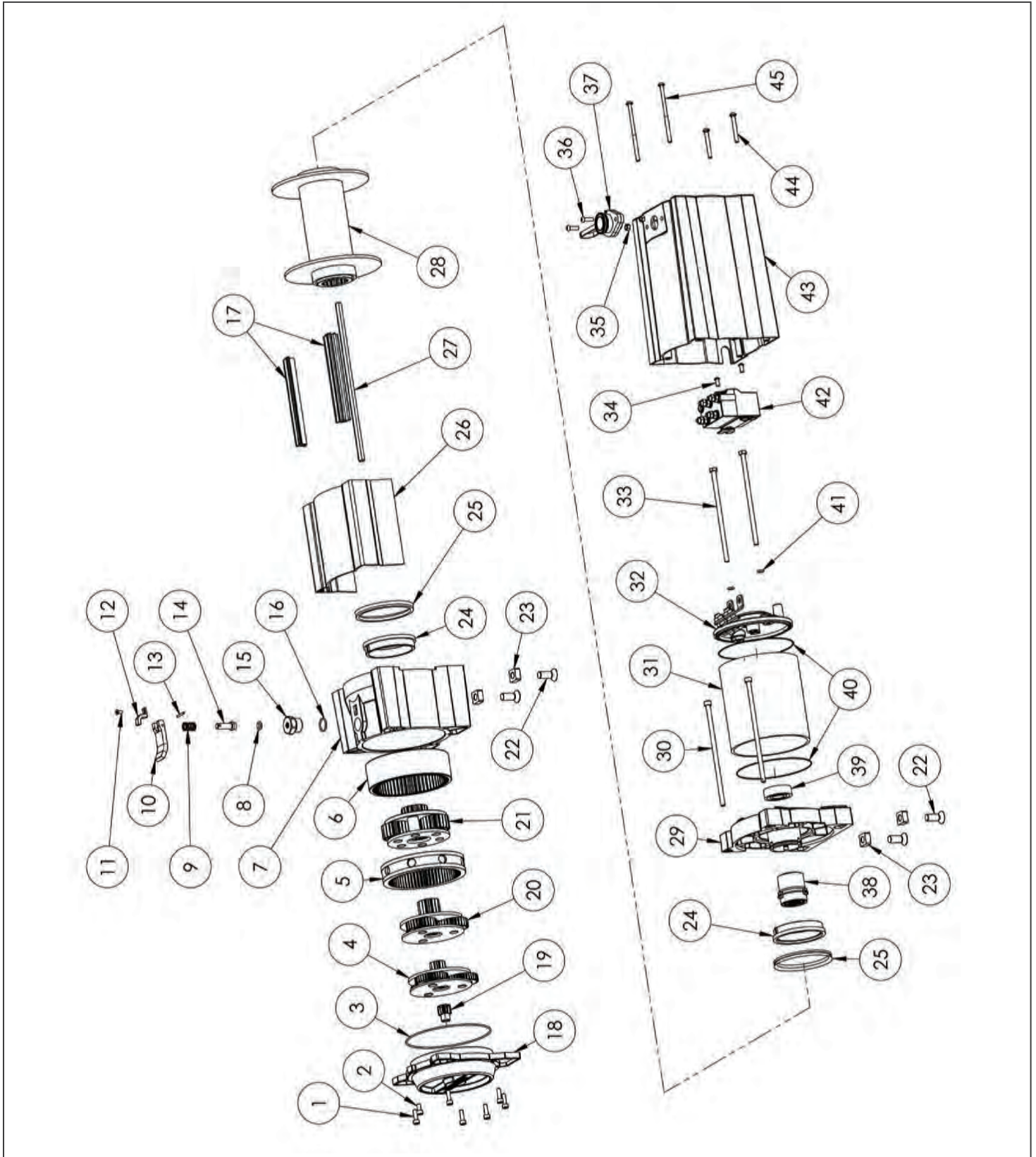
ITEM NO.	PART NUMBER	DESCRIPTION	QTY.
1	N/A	Screw, Socket Head M5-0.8 X 16mm	6
2	N/A	Screw, Socket Head M5-0.8 X 10mm	1
3	90-42740-5	O-Ring, Gearbox	1
4	N/A	1st Stage Planetary Assembly	1
5	N/A	Ring Gear, 2nd Stage	1
6	N/A	Ring Gear, 3rd Stage	1
7	N/A	Drum Support, Gearbox End	1
8	90-42740-3	O-Ring, Clutch Pin	1
9	90-42767-2	Spring, Clutch	1
10	90-42767-3	Handle, Clutch	1
11	N/A	Screw, Flat Head M4-0.7 X 8mm	1
12	90-42767-7	Clutch Retainer	1
13	90-42767-4	Roll Pin, Clutch	1
14	90-42767-5	Clutch Pin	1
15	90-42767-6	Clutch Base	1
16	90-42740-4	O-Ring, Clutch Base	1
17	N/A	Tie Bar	2
18	N/A	Gearbox Cap	1
19	N/A	Sun Gear, 1st Stage	1
20	N/A	2nd Stage Planetary Assembly	1
21	N/A	3rd Stage Planetary Assembly	1
22	N/A	Screw, Flat Head M10-1.5 X 25mm	4
23	N/A	Square Nut M10-1.5	4
24	1710200-11-10	Drum-Bearing	2
25	90-42740-2	Gasket, Drum Support-Drum	2
26	N/A	Drum Cover	1
27	N/A	Drive Shaft	1
28	N/A	Drum	1
29	N/A	Drum Support, Motor End	1
30	N/A	Screw, Socket Head M6-1.0 X 150mm	2
31	N/A	Motor	1
32	N/A	Motor Cap	1
33	N/A	Screw, Hex Head M6-1.0 X 135mm	2
34	N/A	Screw, Pan Head Phillips M5-0.8 X 10mm	2
35	N/A	Hex Nut M5-0.8	2
36	N/A	Screw, Pan Head Phillips M5-0.8 X 16mm	2
37	90-14140	Remote Socket	1
38	1710200-11-8	Brake	1
39	1710200-11-6	Ball Bearing	1
40	90-42740-1	O-Ring, Motor	2
41	90-42660-3	O-Ring, Motor Bolt	2
42	98-10880	Contactora	1
43	N/A	Motor Cover	1
44	N/A	Screw, Pan Head Phillips M5-0.8 X 85mm	2
45	N/A	Screw, Pan Head Phillips M5-0.8 X 16mm	2

# SUPERWINCH®

## ASSEMBLY

# S SERIES

S5500, S5500SR, S7500, S7500SR WINCHES

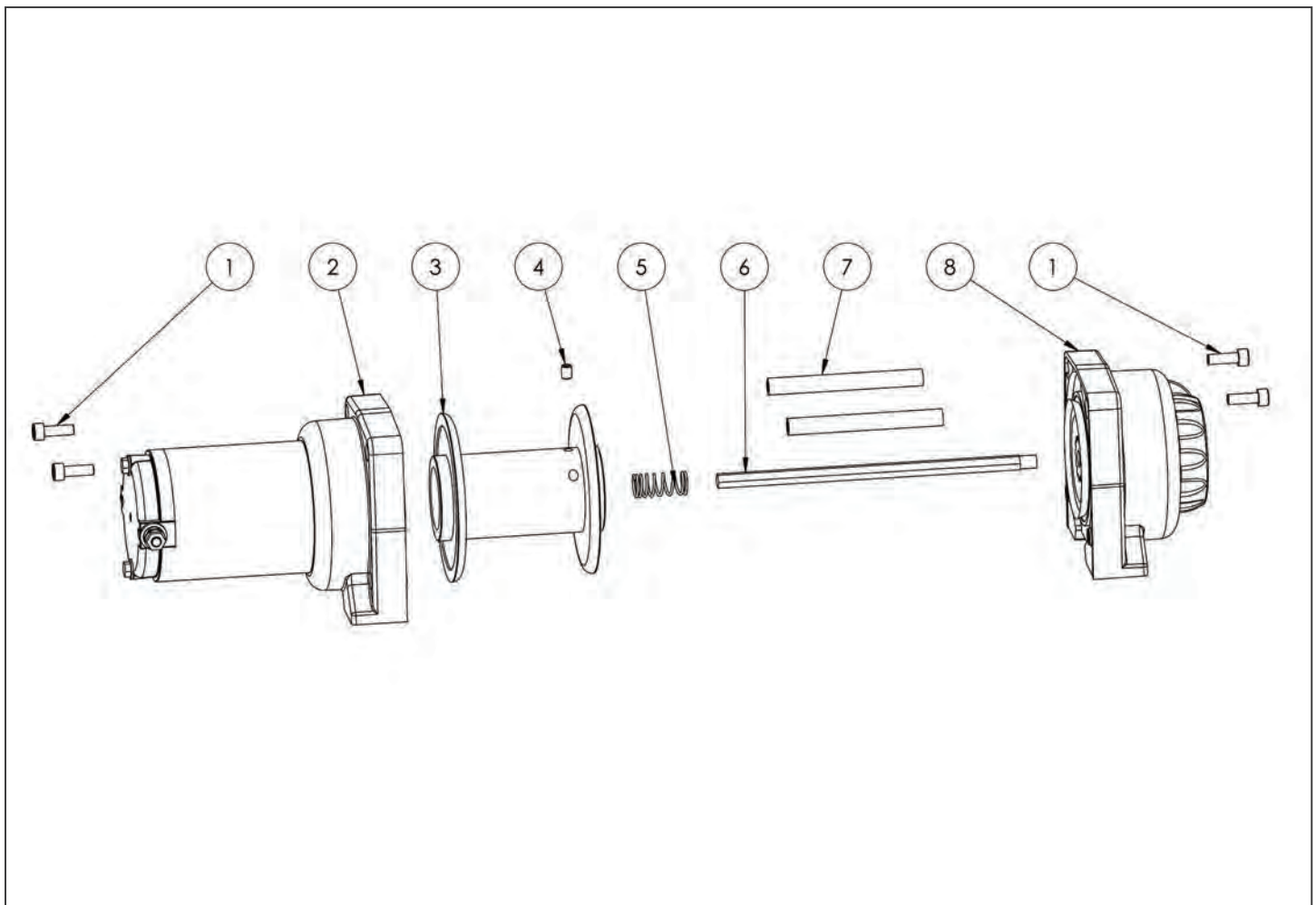




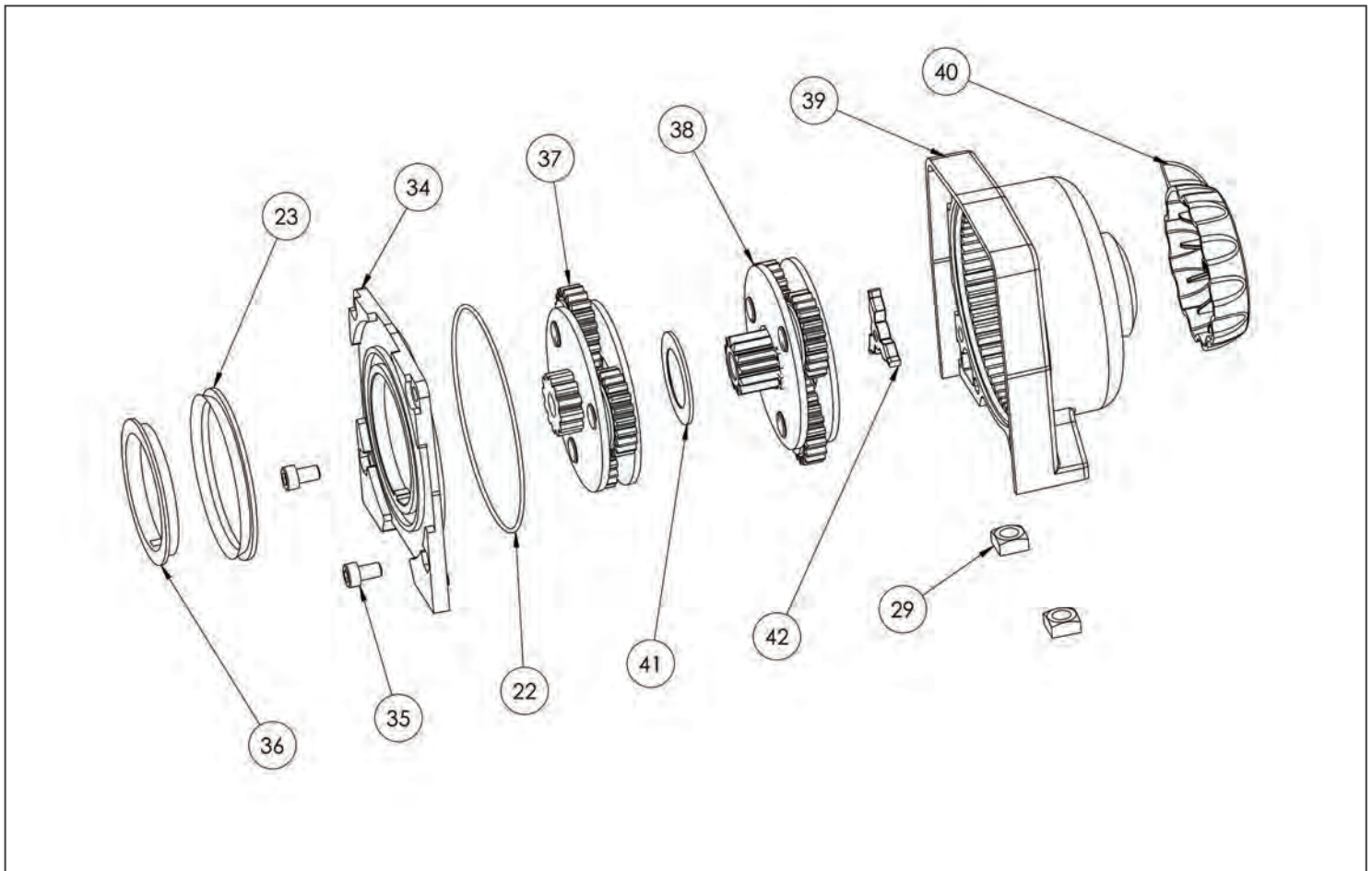
## LT SERIES SERVICE PARTS

		LT3000	LT4000	LT4000SR
CONTENTS	DESCRIPTION	PART NUMBER		
Not Shown	Cables	90-42684	90-42684	90-42684
Not Shown	Circuit Breaker	87-14541	87-14541	87-14541
Not Shown	Contactors	87-12893	87-12893	87-12893
Not Shown	Handlebar Switch	87-12894	87-12894	87-12894
Not Shown	Hawse Fairlead	N/A	N/A	87-24077
9(2pcs), 10(2pcs), 11(2pcs), 12(2pcs), 13(2pcs), 14(2pcs), 15(2pcs), 16, 17, 18, 19, 20(2pcs), 21, 22, 23, 24(2pcs), 25(2pcs), 26, 27(2pcs), 28, 29(2pcs), 30, 31, 32, 33, 34, 35(2pcs), 36	Motor Assembly (Includes brack)	87-12890	87-24078	87-24078
Not Shown	Roller Fairlead	87-12911	87-12911	N/A
Not Shown	Remote Socket Assembly	87-14151	87-14151	87-14151
4, 7(2pcs), 9(2pcs), 14(2pcs), 17, 21, 22(2pcs), 23(2pcs), 27(2pcs), 36(2pcs), 41	Small Parts Kit	90-42762	90-42762	90-42762
Not Shown	Synthetic Winch Rope	N/A	N/A	87-42613
Not Shown	Wired Remote Control	87-12895	87-12895	87-12895
Not Shown	Wire Winch Rope	87-42611	87-42611	N/A

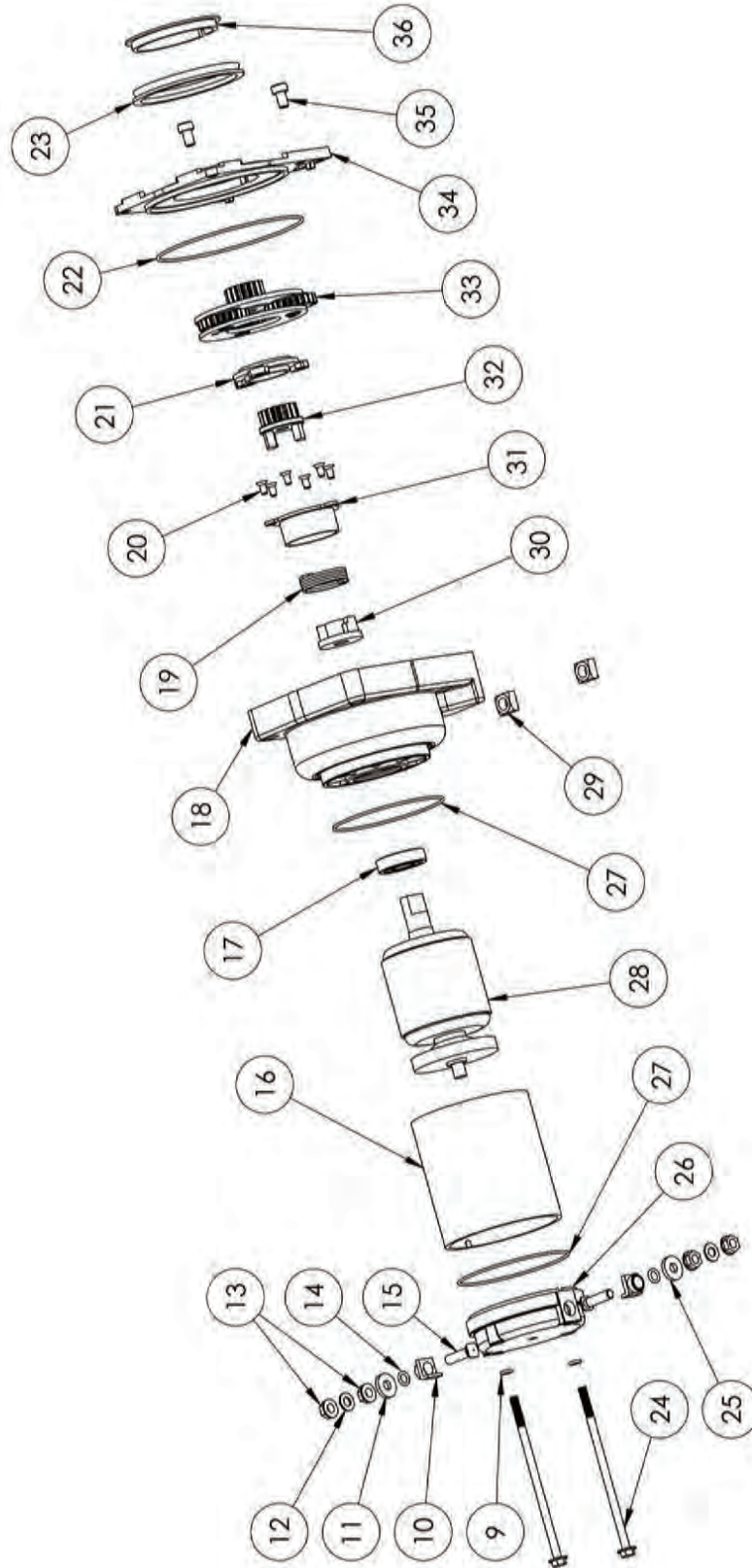
ITEM NO.	PART NUMBER	DESCRIPTION	QTY.
1	1140222-1-24-4	Screw, Socket Head M6-1.0 X 10mm	4
2	N/A	Motor End Assembly	1
3	1140222-1-24-2	Drum	1
4	1125260-1-9	Set Screw, M6-1.0 X 8mm	1
5	1140222-1-24-7	Spring, Clutch	1
6	1140222-1-24-61	Drive Shaft	1
7	1140222-1-24-3	Tie Bar	2
8	N/A	Gearbox End Assembly	1



ITEM NO.	PART NUMBER	DESCRIPTION	QTY.
22	1140222-1-24-24	O-Ring, Drum Support	1
23	1140222-1-24-10	Drum Seal	1
29	1140222-1-10	Square Nut, M8-1.25	2
34	1140222-1-24-13	Cover Plate	1
35	1140222-1-24-14	Screw, Socket Head M6-1.0 X 10mm	2
36	1140222-1-24-9	Drum Bearing	1
37	N/A	3rd Stage Planetary Assembly	1
38	N/A	2nd Stage Planetary Assembly	1
39	N/A	Gearbox	1
40	1140222-1-24-54	Clutch Handle	1
41	1140222-1-24-59	Bushing, Gearbox	1
42	1140222-1-24-56	Clutch Mechanism	1



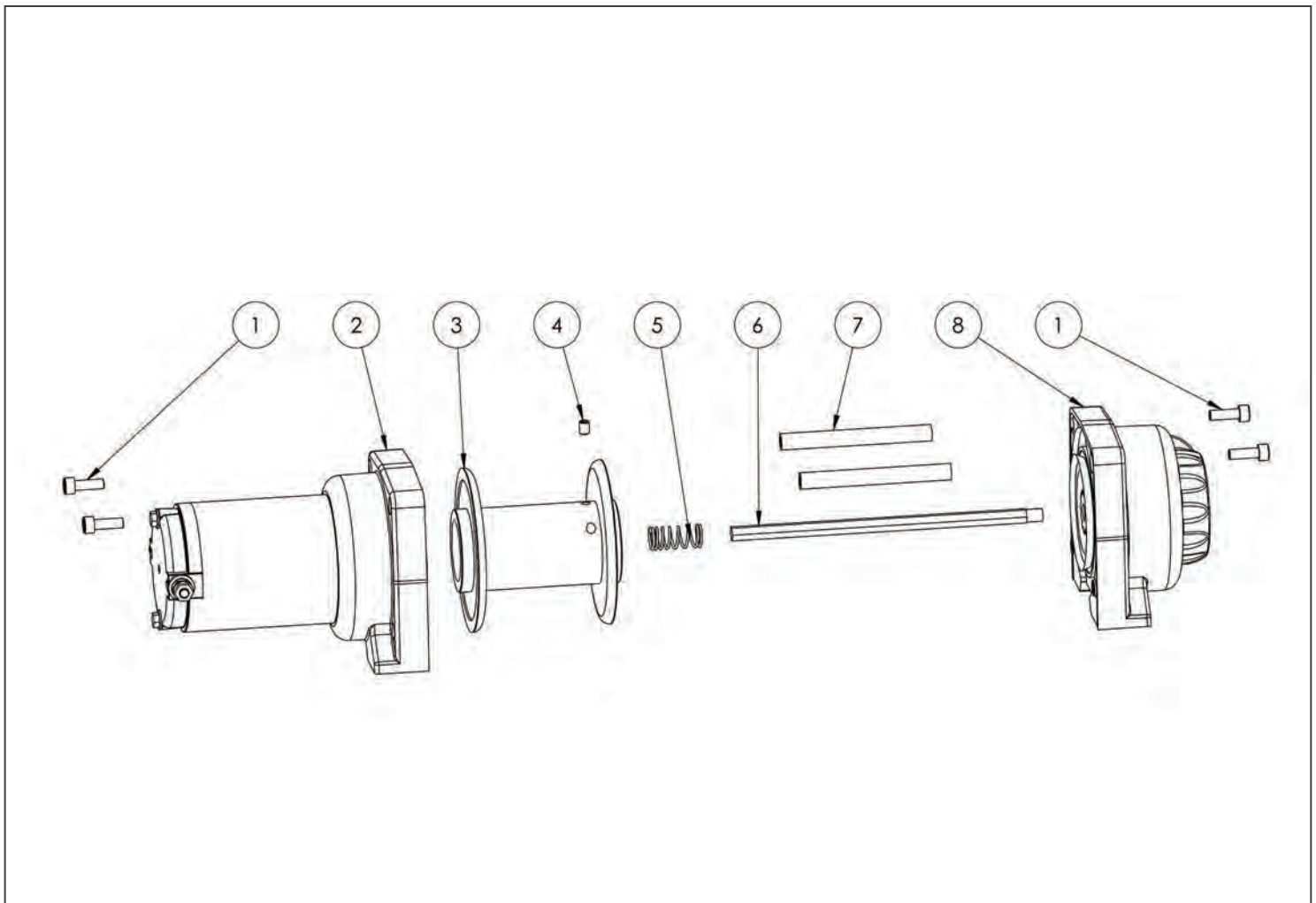
ITEM NO.	PART NUMBER	DESCRIPTION	QTY.
9	1140222-1-24-115	O-Ring, Motor Bolt	2
10	1140222-1-24-122	Retainer, Terminal Screw	2
11	1140222-1-24-123	Insulator, Red	1
12	1140222-1-24-127	Flat Washer, M6	2
13	1145240-1-1-17	Serrated Flange Nut, M6-1.0	4
14	1140222-1-24-125	O-Ring, Motor Terminal	2
15	1145240-1-1-16	Screw, Square Head M6-1.0 X 27mm	2
16	1140222-1-24-111	Stator	1
17	1140222-1-24-15	Ball Bearing, Motor	1
18	N/A	Drum Support, Motor End	1
19	1140222-1-24-19	Brake Spring	1
20	1140222-1-24-22	Screw, Flat Head M4-0.7 X 8mm	6
21	1140222-1-24-21	Bushing, 1st Stage Planetary	1
22	1140222-1-24-24	O-Ring, Drum Support	1
23	1140222-1-24-10	Drum Seal	1
24	1140222-1-24-126	Screw, Flanged Hex Head M5-0.8 X 125mm	2
25	1140222-1-24-124	Insulator, White	1
26	1140222-1-24-114	Motor Lid	1
27	1140222-1-24-113	O-Ring, Motor	2
28	N/A	Rotor	1
29	1140222-1-10	Square Nut, M8-1.25	2
30	1140222-1-24-17	Adapter, Motor-Brake	1
31	1140222-1-24-18	Brake Cylinder	1
32	1140222-1-24-20	Adapter, Brake-1st Stage	1
33	N/A	1st Stage Planetary Assembly	1
34	1140222-1-24-13	Cover Plate	1
35	1140222-1-24-14	Screw, Socket Head M6-1.0 X 10mm	2
36	1140222-1-24-9	Drum Bearing	1



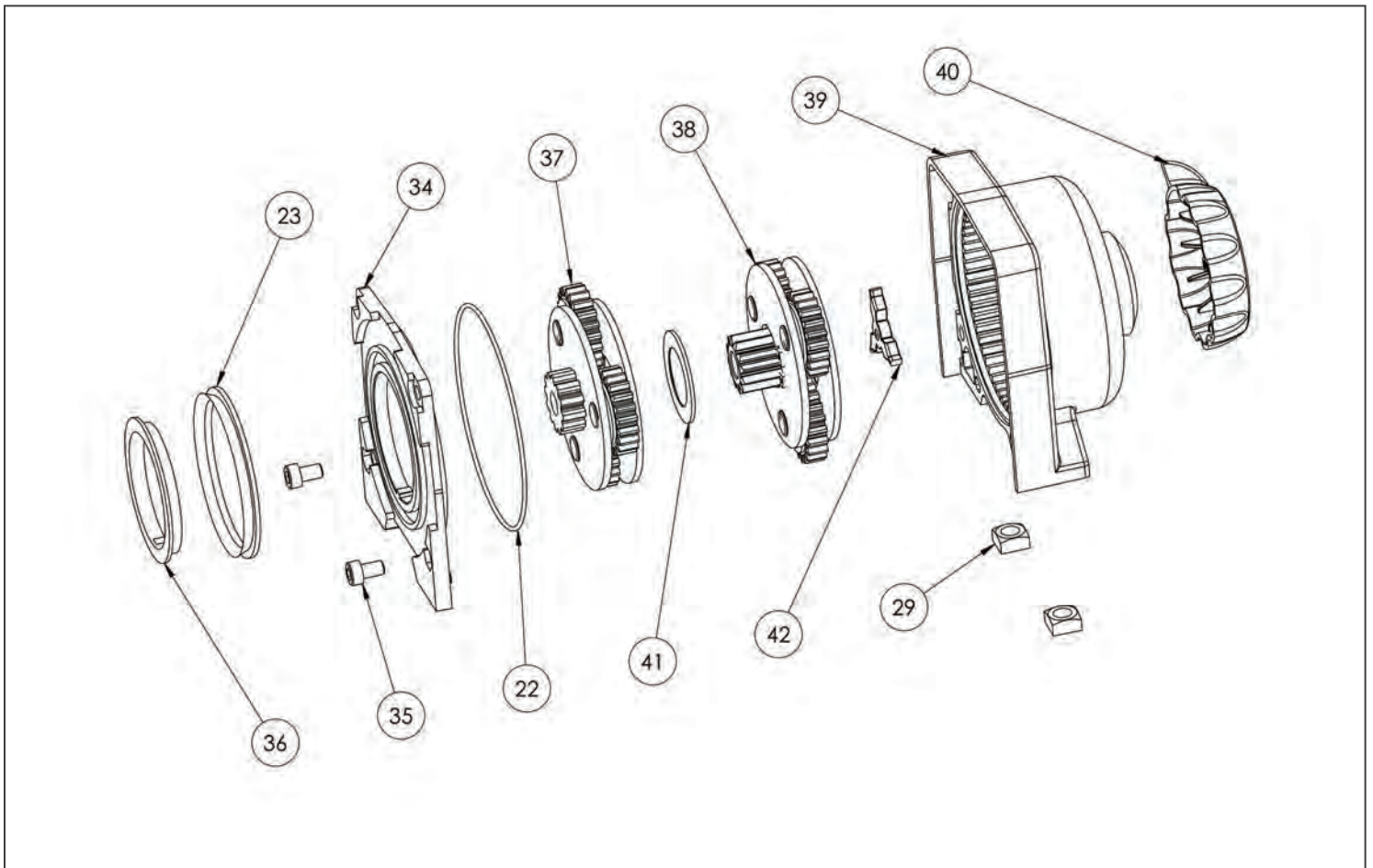
## WINCH2GO SERIES SERVICE PARTS

		WINCH2GO	WINCH2GO SR
CONTENTS	DESCRIPTION	PART NUMBER	
Not Shown	Cables	90-42763	90-42763
Not Shown	Contactora	87-12893	87-12893
Not Shown	Circuit Breaker	87-14541	87-14541
Not Shown	Handlebar Switch	N/A	N/A
Not Shown	Hawse Fairlead	N/A	N/A
9(2pcs), 10(2pcs), 11(2pcs),12(2pcs), 13(2pcs), 14(2pcs), 15(2pcs), 16, 17, 18, 19, 20(2pcs), 21, 22, 23, 24(2pcs), 25(2pcs), 26, 27(2pcs), 28, 29(2pcs), 30, 31, 32, 33, 34, 35(2pcs), 36	Motor Assembly (Includes brack)	87-24078	87-24078
Not Shown	Roller Fairlead	N/A	N/A
Not Shown	Remote Socket Assembly	90-42764	90-42764
4, 7(2pcs), 9(2pcs), 14(2pcs), 17, 21, 22(2pcs), 23(2pcs), 27(2pcs), 36(2pcs), 41	Small Parts Kit	90-42762	90-42762
Not Shown	Synthetic Winch Rope	N/A	87-42613
Not Shown	Wired Remote Control	87-12895	87-12895
Not Shown	Wire Winch Rope	87-42611	N/A

ITEM NO.	PART NUMBER	DESCRIPTION	QTY.
1	1140222-1-24-4	Screw, Socket Head M6-1.0 X 10mm	4
2	N/A	Motor End Assembly	1
3	1140222-1-24-2	Drum	1
4	1125260-1-9	Set Screw, M6-1.0 X 8mm	1
5	1140222-1-24-7	Spring, Clutch	1
6	1140222-1-24-61	Drive Shaft	1
7	1140222-1-24-3	Tie Bar	2
8	N/A	Gearbox End Assembly	1

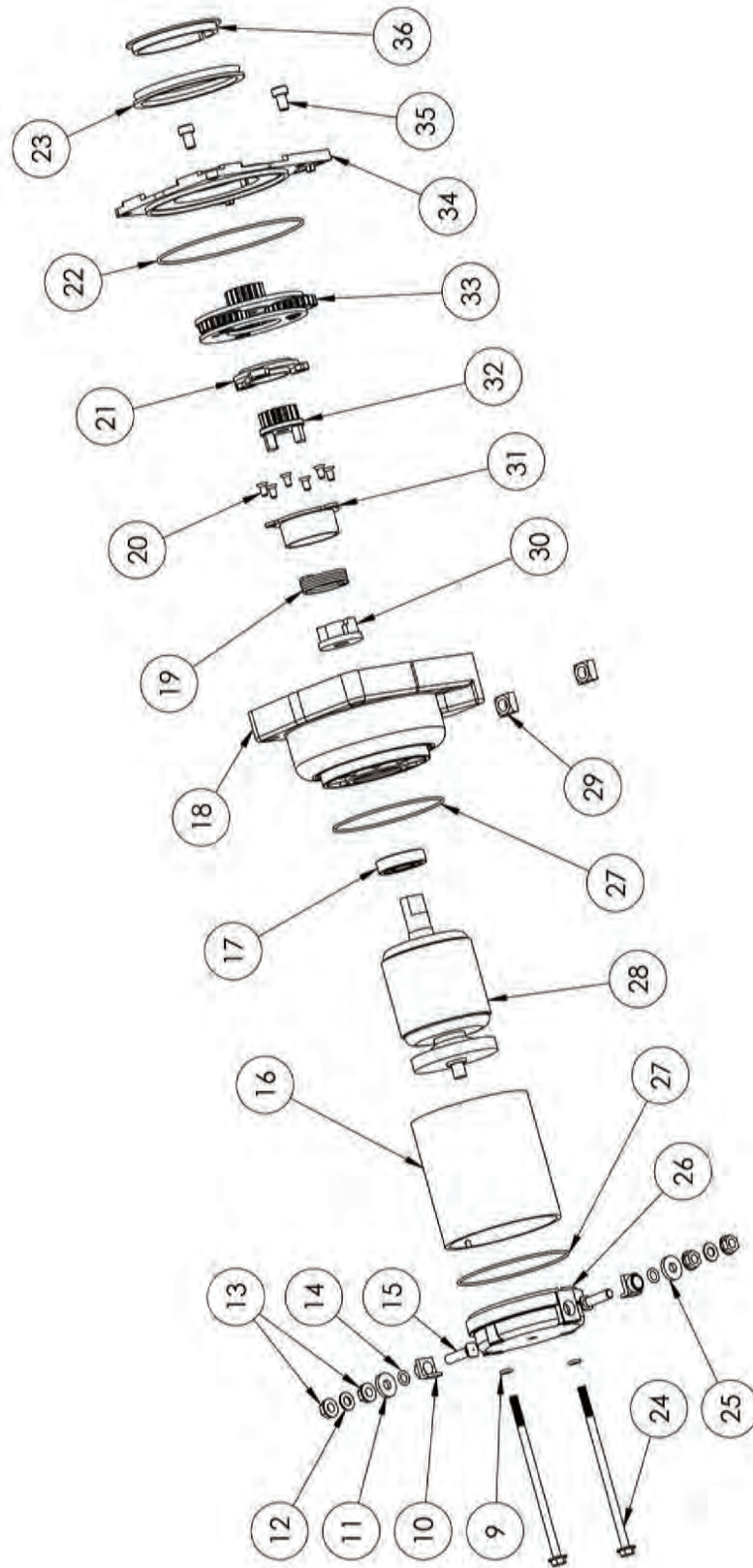


ITEM NO.	PART NUMBER	DESCRIPTION	QTY.
22	1140222-1-24-24	O-Ring, Drum Support	1
23	1140222-1-24-10	Drum Seal	1
29	1140222-1-10	Square Nut, M8-1.25	2
34	1140222-1-24-13	Cover Plate	1
35	1140222-1-24-14	Screw, Socket Head M6-1.0 X 10mm	2
36	1140222-1-24-9	Drum Bearing	1
37	N/A	3rd Stage Planetary Assembly	1
38	N/A	2nd Stage Planetary Assembly	1
39	N/A	Gearbox	1
40	1140222-1-24-54	Clutch Handle	1
41	1140222-1-24-59	Bushing, Gearbox	1
42	1140222-1-24-56	Clutch Mechanism	1





ITEM NO.	PART NUMBER	DESCRIPTION	QTY.
9	1140222-1-24-115	O-Ring, Motor Bolt	2
10	1140222-1-24-122	Retainer, Terminal Screw	2
11	1140222-1-24-123	Insulator, Red	1
12	1140222-1-24-127	Flat Washer, M6	2
13	1145240-1-1-17	Serrated Flange Nut, M6-1.0	4
14	1140222-1-24-125	O-Ring, Motor Terminal	2
15	1145240-1-1-16	Screw, Square Head M6-1.0 X 27mm	2
16	1140222-1-24-111	Stator	1
17	1140222-1-24-15	Ball Bearing, Motor	1
18	N/A	Drum Support, Motor End	1
19	1140222-1-24-19	Brake Spring	1
20	1140222-1-24-22	Screw, Flat Head M4-0.7 X 8mm	6
21	1140222-1-24-21	Bushing, 1st Stage Planetary	1
22	1140222-1-24-24	O-Ring, Drum Support	1
23	1140222-1-24-10	Drum Seal	1
24	1140222-1-24-126	Screw, Flanged Hex Head M5-0.8 X 125mm	2
25	1140222-1-24-124	Insulator, White	1
26	1140222-1-24-114	Motor Lid	1
27	1140222-1-24-113	O-Ring, Motor	2
28	N/A	Rotor	1
29	1140222-1-10	Square Nut, M8-1.25	2
30	1140222-1-24-17	Adapter, Motor-Brake	1
31	1140222-1-24-18	Brake Cylinder	1
32	1140222-1-24-20	Adapter, Brake-1st Stage	1
33	N/A	1st Stage Planetary Assembly	1
34	1140222-1-24-13	Cover Plate	1
35	1140222-1-24-14	Screw, Socket Head M6-1.0 X 10mm	2
36	1140222-1-24-9	Drum Bearing	1

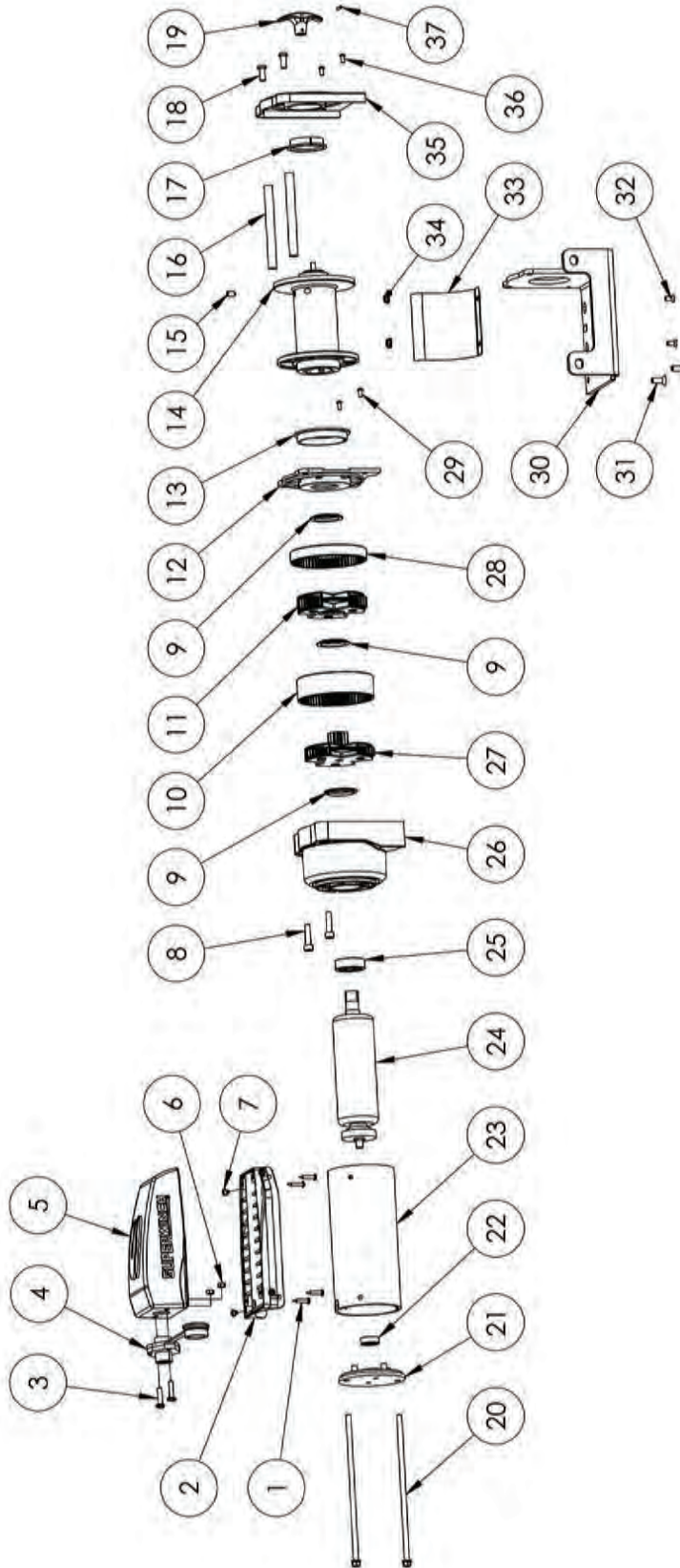


## AC1500 WINCH SERVICE PARTS

### AC 1500

CONTENTS	DESCRIPTION	PART NUMBER
1(2pcs), 2, 3(2pcs), 4, 5(2pcs), 6(2pcs), 7(2pcs), 20(2pcs), 21, 22, 23, 24, 25	Control Box/Motor Assembly	90-42772
Not Shown	Hook	90-42773
4	Remote Socket Assembly	90-42775
Not Shown	Roller Fairlead	87-12911
9(2pcs), 13, 15, 17, 22, 25	Small Parts Kit	90-42771
Not Shown	Wired Remote Control	90-42774
Not Shown	Wire Winch Rope	87-42611

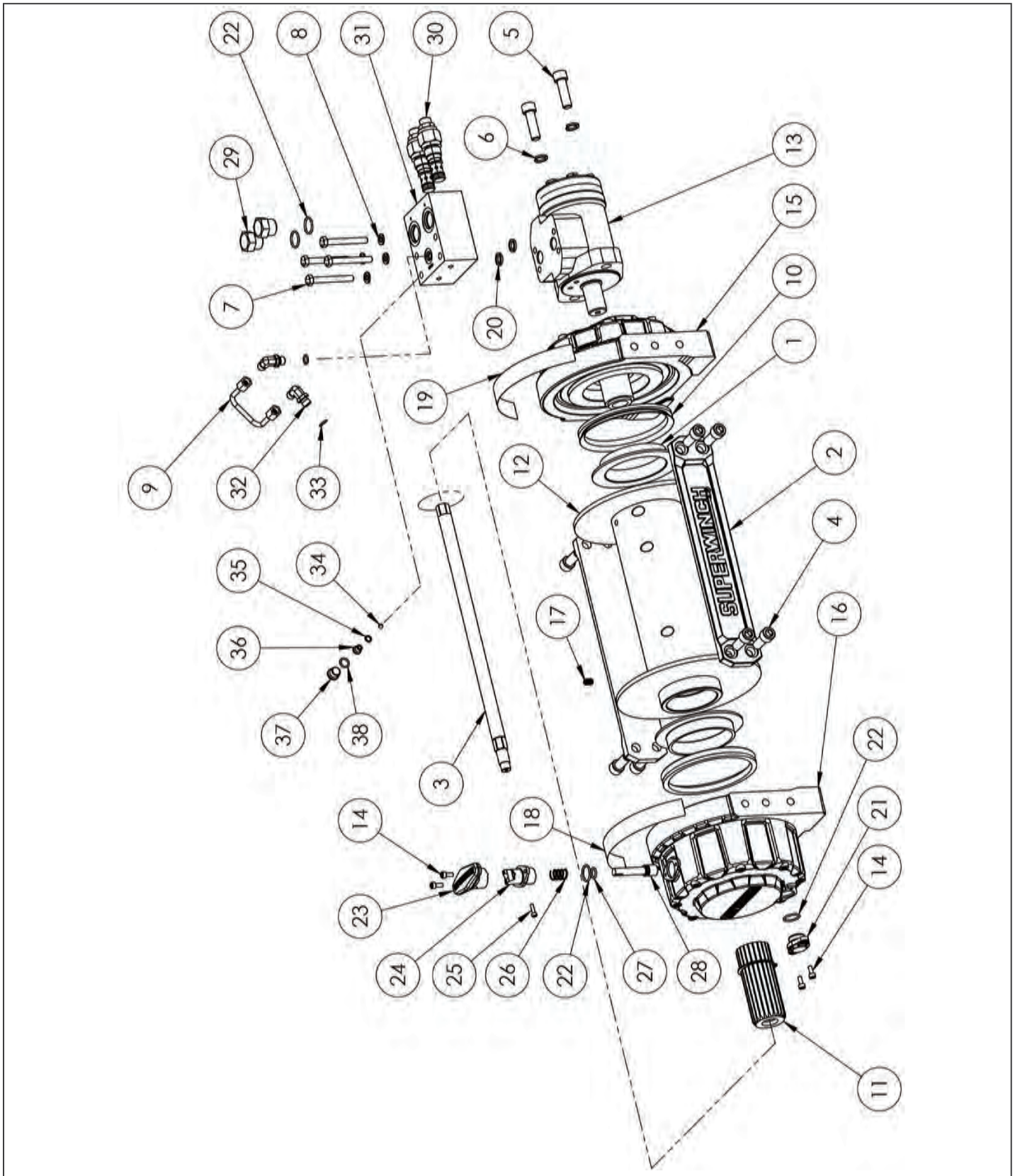
ITEM NO.	PART NUMBER	DESCRIPTION	QTY.
1	1715001-1-15	Screw Pan Head Phillips M3.5 X 19mm	4
2	1715001-1-3	Control Box Base	1
3	1715001-1-12	Screw Pan Head Phillips M5-0.8 X 20mm	2
4	1715001-1-11	Socket Assembly	1
5	1715001-1-4	Control Box Lid	1
6	1715001-1-13	Hex Nut, M5-0.8	2
7	1715001-1-14	Screw, Flanged Pan Head Phillips M4-0.7 X 5mm	4
8	1715001-16	Screw, Socket Head M6-1.0 X 25mm	2
9	1715001-1-28	Bushing	3
10	1715001-1-25	Ring Gear "A"	1
11	1715001-1-24	2nd Stage Planetary Assembly	1
12	1715001-1-210	Cover Plate	1
13	1715001-1-29	Drum Bearing "A"	1
14	1715001-11	Drum	1
15	1125260-1-9	Set Screw, M6-1.0 X 8mm	1
16	1715001-12	Tie Bar	2
17	1715001-14	Drum Bearing "B"	1
18	1715001-15	Screw, Hex Socket Pan Head M6-1.0 X 15mm	2
19	1715001-21	Clutch Handle	1
20	1715001-1-16	Screw, Flanged Hex Head M6-1.0 X 175mm	2
21	1715001-1-17	Motor Lid	1
22	1715001-1-18	Motor Bearing "A"	1
23	1715001-1-19	Stator	1
24	1715001-1-110	Rotor	1
25	1715001-1-22	Motor Bearing "B"	1
26	1715001-1-21	Gearbox	1
27	1715001-1-23	1st Stage Planetary Assembly	1
28	1715001-1-26	Ring Gear "B"	1
29	1715001-1-27	Screw, Pan Head Phillips M4-0.7 X 10mm	2
30	1715001-1-2	Mount Plate	1
31	1715001-17	Screw, Flat Head M6-1.0 X 16mm	2
32	1715001-18	Screw, Flat Head Phillips M5-0.8 X 10mm	2
33	1715001-22	Cable Tensioner	1
34	1715001-19	Serrated Flange Nut, M5-0.8	2
35	1715001-13	Drum Support	1
36	1715001-20	Screw, Pan Head Phillips M4-0.7 X 7mm	2
37	1715001-23	Roll Pin	1



## SI HYDRAULIC SERVICE PARTS

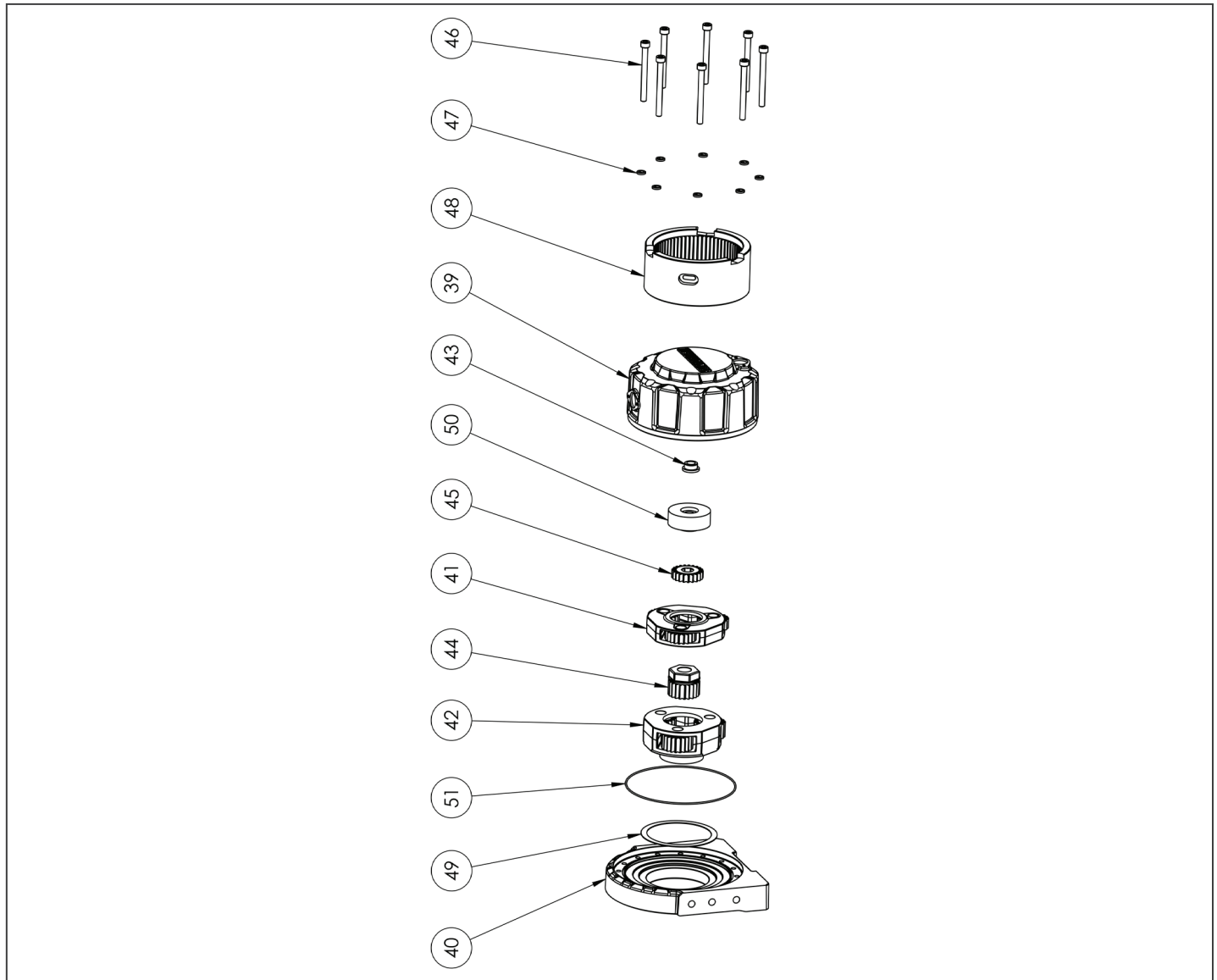
		SI HYDRAULIC 8000 NARROW DRUM	SI HYDRAULIC 8000 STANDARD DRUM	SI HYDRAULIC 10000 NARROW DRUM	SI HYDRAULIC 10000 STANDARD DRUM	SI HYDRAULIC 12000 STANDARD DRUM	SI HYDRAULIC 15000 STANDARD DRUM
CONTENTS	DESCRIPTION	PART NUMBER					
33, 51, 52, 53, 54, 61	Brake Repair Kit	S106105	S106105	S106105	S106105	S106105	S106105
1, 10, 17, 20, 22, 27, 33, 34, 35, 38, 43, 49, 51, 59, 66, 75	Small Parts Kit	S106058	S106058	S106058	S106058	S106058	S106058
9, 13, 20, 32	Motor Assembly	S106100	S106100	S106102	S106102	S106104	S106104
22, 23, 24, 25, 26, 27, 28	Clutch Actuator Assembly (Manual)	S100264	S100264	S100264	S100264	S100264	S100264
7, 9, 20, 30, 31, 32	Super Block (Control Block)	S106103	S106103	S106103	S106103	S106103	S106103
Not Shown	Clutch Actuator Assembly (Air)	S100512	S100512	S100512	S100512	S100512	S100512
Not Shown	Cable Tensioner	S100501	S100500	S100501	S100500	S100500	S100500
Not Shown	Fairlead, Roller	S100507	S100506	S100507	S100506	S100506	S100506

ITEM NO.	PART NUMBER	DESCRIPTION	QTY.
1	S100317 (P#'s S100428, S100429, S100430, S100431, S100432) 53-40953 (P# S100491)	BEARING DRUM	2
2	S101784 (P#'s S100428, S100429, S100430, S100491) S100530 (P#'s S100431, S100432)	CASTING-CROSS BAR-STD WIDTH (S101784) CROSS BAR CASTING NARROW (S100530)	2
3	S102840 (P#'s S100428, S100429, S100430) S102556 (P#'s S100431, S100432) S103906 (P# S100491)	DRIVESHAFT	1
4	S100882	SHCS, M12 X 1.75 X 30MM LG	8
5	S101762	SHCS, M12 X 1.75 X 40MM LG	2
6	S100883	LOCK WASHER, M12	2
7	S100916	HHCS, 5/16"-18 X 2.5" LG	4
8	S100917	SPLIT LOCK WASHER, 8MM	4
9	S101103	TUBE ASSY, -4 SAE	1
10	S100727	V RING SEAL	2
11	S101794	DRIVE SPLINE ASSY	1
12	S101786 (P# S100428) S102245 (P#'s S100429, S100430) S100900 (P# S100431) S102241 (P# S100432) S103938 (P# S100491)	DRUM	1
13	94-32193-02 (P#'s S100428, S100431) 94-32192-04 (P#'s S100429, S100432) S104009 (P#'s S100430, S100491)	MOTOR HYDRAULIC - 80CC (94-32193-02) MOTOR HYDRAULIC - 125CC (94-32192-04) MOTOR HYDRAULIC - 160CC (S104009)	1
14	S100605	SHCS, M5 X 0.8 X 12MM LG	4
15	S101472	HYD BRAKE ASSY DRUM SUPPORT - SM IND EN	1
16	S100497	GEARBOX, DRUM SUPPORT ASSEMBLY	1
17	S103214	M8X1.25 ALLOY STEEL CUP POINT SET SCREW	1
18	S101620 (P#'s S100428, S100429, S100430, S100431, S100432) S104020 (P# S100491)	LABEL - WARNING AND CLUTCH	1
19	S102272 (P# S100428) S102275 (P# S100429) S104767 (P# S100430) S102271 (P# S100431) S102274 (P# S100432) S104020 (P# S100491)	LABEL	1
20	S101827-1	Motor Seal, 17mm O.D.	2
21	S100635	CLUTCH CAP	1
22	S100634	O-RING, CLUTCH CAP / CLUTCH / PLUG	4
23	S100845	CLUTCH T HANDLE	1
24	S100844	OUTER CLUTCH HOUSING	1
25	S100929	CAP HEAD SCREW, M4-0.7 X 14MM	1
26	S100928	COMPRESSION SPRING	1
27	S100918	O-RING, CLUTCH PIN	1
28	S100843	CLUTCH PIN	1
29	S100908	PLUG, HEX SAE 10	2
30	S100084	COUNTERBALANCE VALVE	2
31	S100885	BLOCK, MANIFOLD	1
32	S100904	ELBOW 90 DEGREE	2
33	S100904-1	O-RING, ELBOW 90 DEGREE	2
34	S100083	CHECK BALL, 6MM DIAMETER	1
35	S100906-2	O-RING, PLUG SAE 2	1
36	S100884	PLUG, SAE 2	1
37	S100905	PLUG, SAE 5	1
38	S100906-1	O-RING, PLUG SAE 5	1

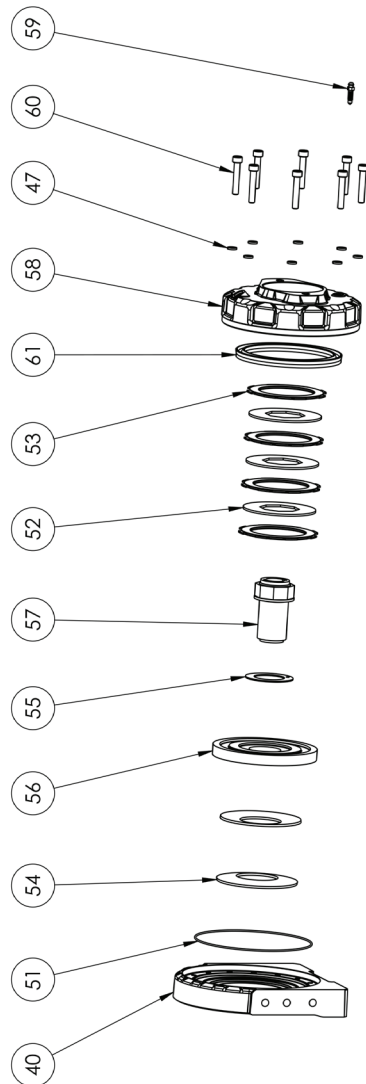




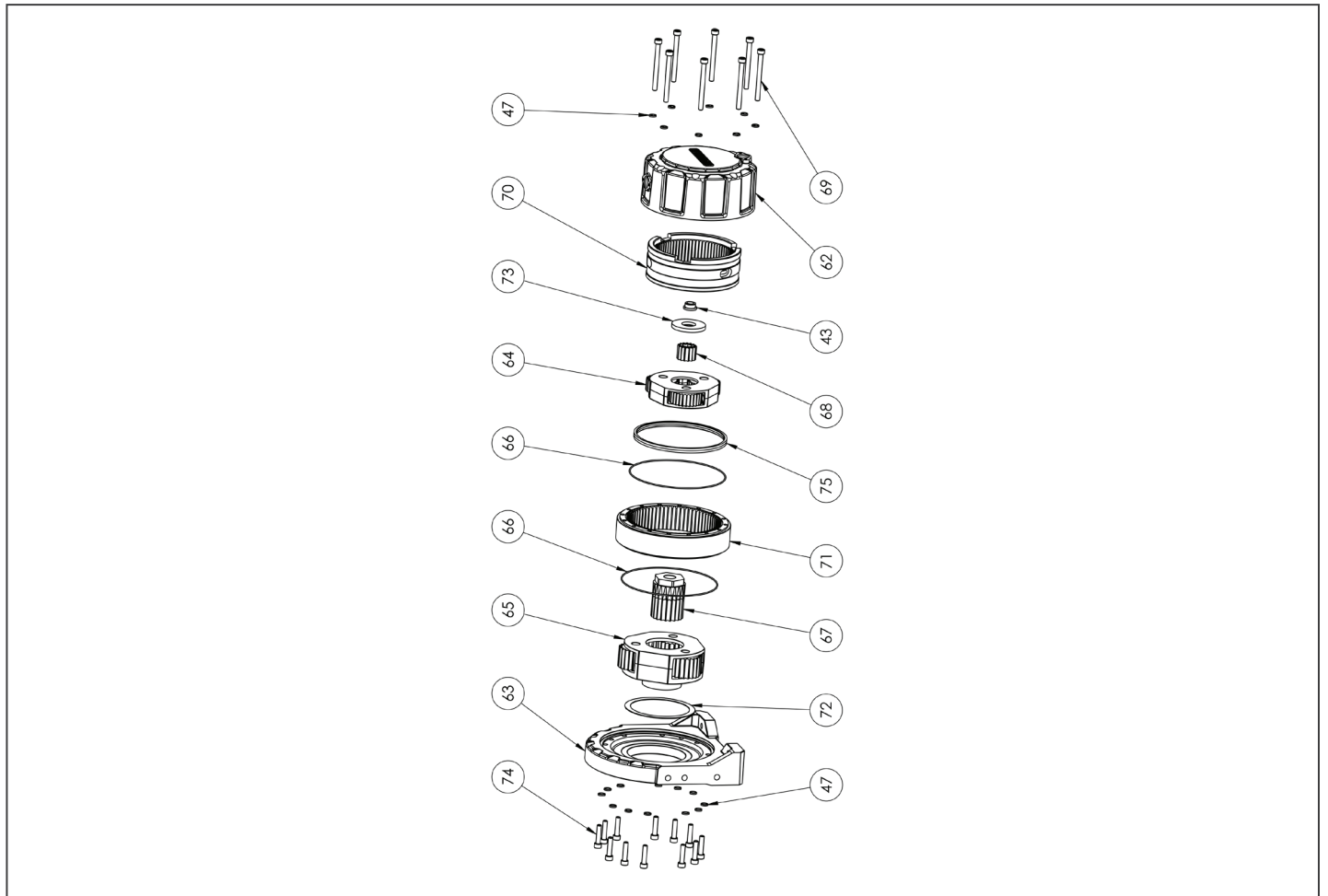
ITEM NO.	PART NUMBER	DESCRIPTION	QTY.
39	S100556	MACHINING, SMALL INDUSTRIAL GEARBOX	1
40	S100554	DRUM SUPPORT, SMALL INDUSTRIAL, MACHINED	1
41	S102542	ASSY 2ND STAGE PLANETARY 4 TO 1 SI SMALL	1
42	S102536	ASSY 3RD STAGE PLANETARY 4 TO 1 SI SMALL	1
43	S102557	BUSHING - SM IND DRIVELINE SUPPORT	1
44	S102218	GEAR, SUN 21 TOOTH 3RD STAGE SI SMALL FR	1
45	S100633	GEAR, SUN 21 TOOTH SI SMALL 2ND STAGE	1
46	S100726	SHCS, M8 X 1.25 X 85MM LG	8
47	S101448	LOCK WASHER - M8 HIGH COLLAR	8
48	S100749	GEAR, RING SI SMALL FRAME 63 TOOTH	1
49	S100771	THRUST BEARING 3RD STAGE	1
50	S102842	SPACER - SECOND STAGE PLANETARY	1
51	S100620	SEAL, O-RING 159X2	1



ITEM NO.	PART NUMBER	DESCRIPTION	QTY.
52	S100813	BRAKE ROTATING DISC	3
53	S100814	BRAKE DISK FIXED	4
54	S100821	DISK SPRING 112mm OD X 57mm ID	2
55	S100824	THRUST WASHER 66mm OD X 42mm ID	1
56	S100922	PRESSURE PLATE, 144 MM DIA, MACHINING	1
57	S100926	ASSY BRAKE DRIVE SLEEVE	1
40	S100554	DRUM SUPPORT, SMALL INDUSTRIAL, MACHINED	1
58	S100558	MOTOR MOUNTING PLATE, MACHINED	1
59	S100825	M7 BLEEDER NIPPLE	1
60	S100746	SHCS, M8 X 1.25 X 45MM LG	8
61	S100818	U-SEAL 145mm OD X 125mm ID	1
47	S101448	LOCK WASHER - M8 HIGH COLLAR	8
51	S100620	SEAL, O-RING 159X2	1



ITEM NO.	PART NUMBER	DESCRIPTION	QTY.
62	S102773	MACHINING, MID-FRAME INDUSTRIAL GEARBOX	1
63	S102771	DRUM SUPPORT, MID-FRAME INDUSTRIAL, MACH	1
64	S103685	ASSY - SI MD 2ND STAGE PLANETARY 5.8:1	1
65	S103714	ASSY - SI MD 3RD STAGE PLANETARY 4.14:1	1
43	S102557	BUSHING - SM IND DRIVELINE SUPPORT	1
66	S103800	SEAL, O-RING 174X2	2
67	S103697	SUN GEAR - 21T SI MD 3RD STAGE HYD	1
68	S103696	SUN GEAR - 12T SI MD 1ST STAGE	1
69	S103802	SHCS, M8 X 1.25 X 90MM LG	8
47	S101448	LOCK WASHER - M8 HIGH COLLAR	20
70	S103750	RING GEAR - SI MD 2ND STAGE 72T	1
71	S102883	RING GEAR - SI MD 3RD STAGE 66T	1
72	S105465	THRUST BEARING 3RD STAGE	1
73	S103745	SPACER - SI MD PLANETARY	1
74	S103475	SHCS, M8 X 1.25 X 35MM LG	12
75	S103923	CLUTCH RING RETAINER	1
47	S101448	LOCK WASHER - M8 HIGH COLLAR	8



## H8P AND H10P SERVICE PARTS

**H8P WINCH  
STANDARD  
DRUM**

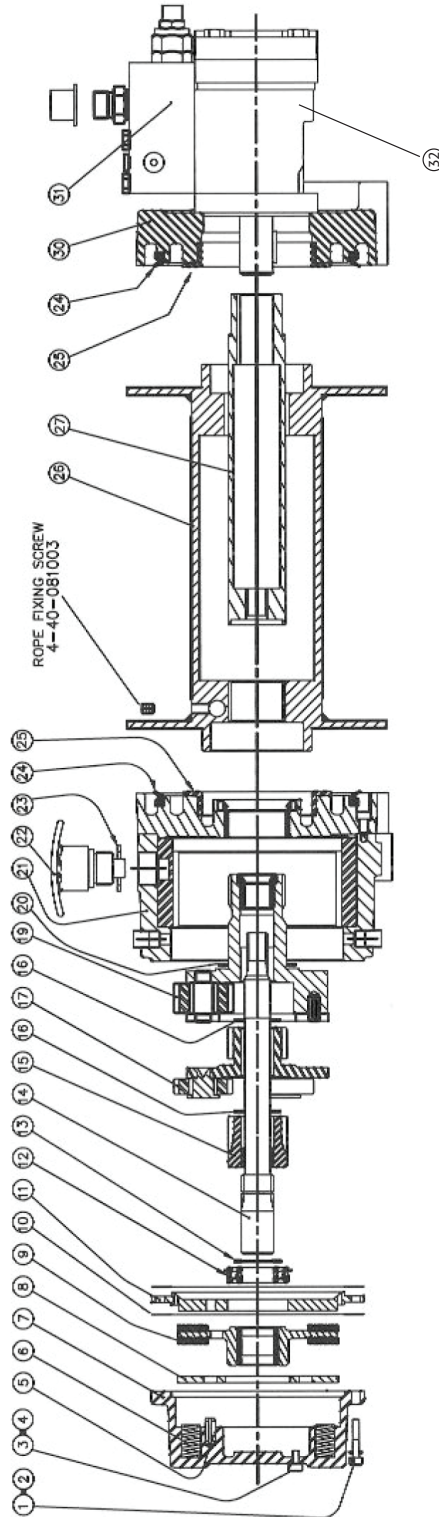
**H8P WINCH  
LONG DRUM**

**H10P WINCH  
STANDARD  
DRUM**

**H10P WINCH  
LONG DRUM**

CONTENTS	DESCRIPTION	PART NUMBER			
31	Control Block Assembly	5060PRO-006	5060PRO-006	5060PRO-006	5060PRO-006
9	Friction Plate Assembly (Brake Disk)	5050PRO-006	5050PRO-006	5050PRO-006	5050PRO-006
6, 10, 12, 24, 25	Small Parts Kit	5050PRO-009	5050PRO-009	5050PRO-009	5050PRO-009
22, 23	Clutch Actuator Assembly (Manual)	5050PRO-012	5050PRO-012	5050PRO-012	5050PRO-012
32	Motor Assembly	S106100	S106100	S106102	S106102
(Not Shown)	Clutch Actuator Assembly (Air)	5603	5603	5603	5603
(Not Shown)	Fairlead, Roller	5600	5610	5600	5610
(Not Shown)	Cable Tensioner	5606	5607	5606	5607








ITEM NO.	PART NUMBER	DESCRIPTION	QTY.
1	4-36-0603022	M6 Socket Head Screw	6
2	4-51-0623	M6 Spring Washer	6
3	4-36-0601022	M6 Socket Head Screw	2
4	4-23-063	Screw Seal	2
5	4-56-802003	Roll Pin	3
6	4-31-1403030403	Spring	6
7	50-90622-01	Brake Housing	1
8	10002	Pressure Plate	1
9	10028	Friction Plate Assembly	1
10	10063	Brake Gasket	2
11	50-95074-1	Bearing Plate	1
12	5050PRO-009-3	Ball Bearing	1
13	4-26-2517123	Snap Ring	1
14	50-50056	Drive Shaft	1
15	50-54013	Sun Gear	1
16	10006	Thrust Washer	2
17	10061	1st Stage Carrier Assembly	1
19	10011	2nd Stage Carrier Assembly	1
20	10051	Thrust Washer	1
21	50-90547	Gear Housing Assembly	1
22	10076	Clutch Actuator	1
23	10295	Washer	1
24	4-22-140161123	Drum Seal	2
25	10049	Drum Bearing	1
26	50-90684 (H8P Standard) 50-90685 (H8P Long) 50-90708 (H10P Standard) 50-90688 (H10P Long)	Drum	1
27	50-90014 (H8P/H10P Standard) 50-90015 (H8P/H10P Long)	Coupling Tube	1
30	50-90424	Support Housing	1
31	5060PRO-006	Control Block Assembly	1
32	S106100 (H8P Standard/Long) S106102 (H10P Standard/Long)	Motor Assembly (Includes O-Rings)	1



# SUPERWINCH®

# REPLACEMENT PARTS



PART NUMBER	PRODUCT NAME	 CIRCUIT BREAKER	 ROLLER FAIRLEAD	 HAWSE FAIRLEAD	 REMOTE CONTROL KIT	 WIRE ROPE	 SOCKET ASSEMBLY	 CONTACTOR/ SOLENOID
1585202	LP8500	2124800	-	90-12865	2274	90-12879	90-24573	90-12877
1510200	LP10000	2124800	2302293	-	2274	90-12879	90-24573	90-12877
1120210	LT2000	2124800	87-12911	-	-	87-42611	-	-
S104089	SH1000 HOIST	-	S105656	-	S105648	-	-	-
S104091	SH1000ND HOIST	-	S105650	-	S105648	-	-	-
S105600	SH1000 HOIST	-	S105656	-	S105649	-	-	-
S104093	SH1000ND HOIST	-	S105650	-	S105649	-	-	-
1331200	UT3000	2124800	-	-	2274	87-42611	90-24573	-

# SUPERWINCH

## WARRANTY POLICY

- 1. WARRANTY COVERAGE:** Superwinch warrants to the original user of its products that the products will, at the date of initial purchase, meet the applicable specification for such products and will be free from any defects in materials or manufacture under use for the standard warranty period stated in the products warranty.
- 2. DISCLAIMER OF WARRANTY OF PRODUCT SUITABILITY:** Superwinch makes no warranty to the purchaser of any third party that its products are suitable for a particular application or design. Many states and localities have differing codes or regulations governing the installation and/or use of superwinch products. Superwinch cannot guarantee compliance with such regulations; purchaser is solely responsible for safe and correct installation and use of the product and for compliance with applicable codes and regulations.
- 3. EXCLUSION OF IMPLIED WARRANTIES:** This warranty is the only warranty applicable to this product and excludes all other warranties, including any warranty of merchantability, any warranty of fitness for a particular purpose, and any implied warranties otherwise arising from cause of dealing or usage of trade.
- 4. LIMITED WARRANTY PROCEDURE:** When contacting seller, buyer shall mail, ship or otherwise deliver to seller at the address noted below or to a factory authorized service center: (1) The product; (2) A written description of the problem; (3) Buyer's name, address and telephone number; and (4) A copy of the original sales receipt. mail, ship or otherwise deliver the product, required information and copies to seller, postage or shipping prepaid.
- 5. LIMITATION OF LIABILITY:** Repair and/or replacement of the product is the sole and exclusive remedy for buyer. this warranty does not apply to defects in any product caused by:
  - a. Normal wear and tear
  - b. Failure to comply with any installation, operation or maintenance instructions provided by superwinch including but not limited to subjecting the product to loads in excess of the load listed in the owner's manual or instructions for the particular product and mode number;
  - c. Commercial or industrial use of consumer product;
  - d. Alteration or modification by parties other than superwinch;
  - (5) Misuse, abuse, neglect, accident, acts of god or terrorism;
  - e. Other causes beyond the control of superwinch after delivery of the product by superwinch to its authorized distributor. If any model or sample was shown to buyer, such model or sample was used for illustrative purposes only and shall not be construed as a warranty that the product shall conform to the sample or model.Superwinch will not be liable for any incidental, special, indirect or consequential damages resulting from any defect in the product.
- 6. EXCLUSIONS:** To the fullest extent permitted by applicable law, the following are hereby excluded and disclaimed:
  - a. All warranties with respect to the wire and synthetic rope, whether sold alone, with or used in or incorporated in any product.
  - b. All warranties with respect to the product's finish.
  - c. All warranties of fitness for a particular purpose.
  - d. All warranties of merchantability.
  - e. All claims for consequential or incidental damages, including damage caused by or during the removal or reinstallation of the product.
- 7. INQUIRIES:** Any inquiries regarding compliance with warranties provided herein may be addressed in writing to Superwinch, at address noted below.

**SUPERWINCH**  
**320 W. COVINA BLVD.**  
**SAN DIMAS, CA 91773**  
**ATTN: CUSTOMER SERVICE**  
**INFO@SUPERWINCH.COM**



# SUPERWINCH

CURRENT WARRANTY TERMS BY PRODUCT LINES ARE OUTLINED BELOW

PART #	PRODUCT DESCRIPTION	WARRANTY
1585202	LP8500	Limited 1 Year
1510200	LP10000	Limited 1 Year
1120210	LT2000	Limited 1 Year
1130220	LT3000	Limited 1 Year
1140220	LT4000	Limited 1 Year
1140230	LT4000	Limited 1 Year
1331200	UT3000	Limited 1 Year
1455200	S5500	Limited 2 Year
1455201	S5500	Limited 2 Year
1475200	S7500	Limited 2 Year
1475201	S7500	Limited 2 Year
S104103	SH1000i Hoist	Limited 2 Year
S104089	SH1000 Hoist	Limited 2 Year
1715001	AC 1500 Winch	Limited 2 Year
1125260	TERRA 2500	Limited Lifetime Mechanical / 3 Year Limited Electrical
1125270	TERRA 2500SR	Limited Lifetime Mechanical / 3 Year Limited Electrical
1135260	TERRA 3500	Limited Lifetime Mechanical / 3 Year Limited Electrical
1135270	TERRA 3500SR	Limited Lifetime Mechanical / 3 Year Limited Electrical
1145260	TERRA 4500	Limited Lifetime Mechanical / 3 Year Limited Electrical
1145270	TERRA 4500SR	Limited Lifetime Mechanical / 3 Year Limited Electrical
1145240	SP 45	Limited Lifetime Mechanical / 3 Year Limited Electrical
1145250	SP 45SR	Limited Lifetime Mechanical / 3 Year Limited Electrical
1135240	SP 35	Limited Lifetime Mechanical / 3 Year Limited Electrical
1135250	SP 35SR	Limited Lifetime Mechanical / 3 Year Limited Electrical
1710200	SX 10000	Limited Lifetime Mechanical / 7 year Limited Electrical
1710201	SX 10000SR	Limited Lifetime Mechanical / 7 year Limited Electrical
1712200	SX 12000	Limited Lifetime Mechanical / 7 year Limited Electrical
1712201	SX 12000SR	Limited Lifetime Mechanical / 7 year Limited Electrical
1595200	TIGER SHARK 9500	Limited Lifetime Mechanical / 7 year Limited Electrical
1595201	TIGER SHARK 9500	Limited Lifetime Mechanical / 7 year Limited Electrical
1511200	TIGER SHARK 11500	Limited Lifetime Mechanical / 7 year Limited Electrical
1511201	TIGER SHARK 11500	Limited Lifetime Mechanical / 7 year Limited Electrical
1515000	TIGER SHARK 15000	Limited Lifetime Mechanical / 3 year Limited Electrical
1515001	TIGER SHARK 15000SR	Limited Lifetime Mechanical / 3 year Limited Electrical
1518000	TIGER SHARK 18000	Limited Lifetime Mechanical / 3 year Limited Electrical
1518001	TIGER SHARK 18000SR	Limited Lifetime Mechanical / 3 year Limited Electrical
1518200	TIGER SHARK 18000 24V	Limited Lifetime Mechanical / 3 year Limited Electrical
1518201	TIGER SHARK 18000SR 24V	Limited Lifetime Mechanical / 3 year Limited Electrical
1518100	TIGER SHARK 66.7 KN EN 24V	Limited Lifetime Mechanical / 3 year Limited Electrical
1140222	WINCH2GO	Limited Lifetime Mechanical / 2 Year Limited Electrical
1140232	WINCH2GOSR	Limited Lifetime Mechanical / 2 Year Limited Electrical

THIS POLICY APPLIES TO SUPERWINCH DESIGNED AND MANUFACTURED PRODUCTS ONLY.

---

---

---

---

---

---

---

---

---

---

---

---

---

---

---

---

---

---

---

---

---

---

---

---

---

---

---

---

---

---

---

---

---

---

---

---

---

---

---

---

---

---

---

---

---

---

---

---





# S<sup>®</sup>

## SUPERWINCH



**CUSTOMER SERVICE**  
**PH: 800.323.2031**  
**E-MAIL: INFO@SUPERWINCH.COM**  
**7AM-4PM PST**  
**MONDAY-FRIDAY**



  **SEARCH #SUPERWINCH**  
**AND STAY CONNECTED!**  

**320 W. COVINA BLVD. SAN DIMAS, CA 91773**  
**101223**

©2023 SUPERWINCH. PRINTED IN U.S.A.

**SUPERWINCH.COM**