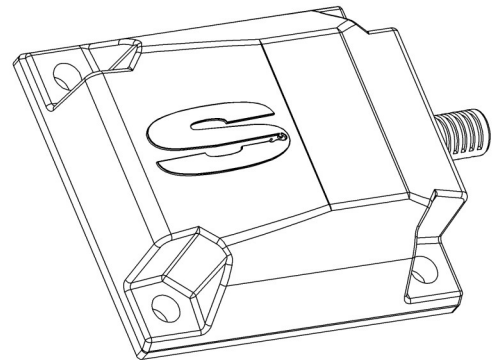
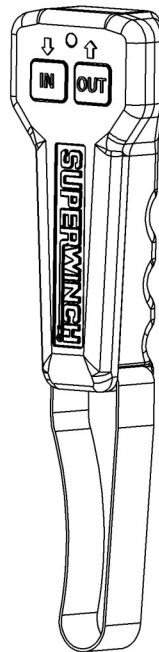




Wireless Remote kit



PART NUMBER: 2277

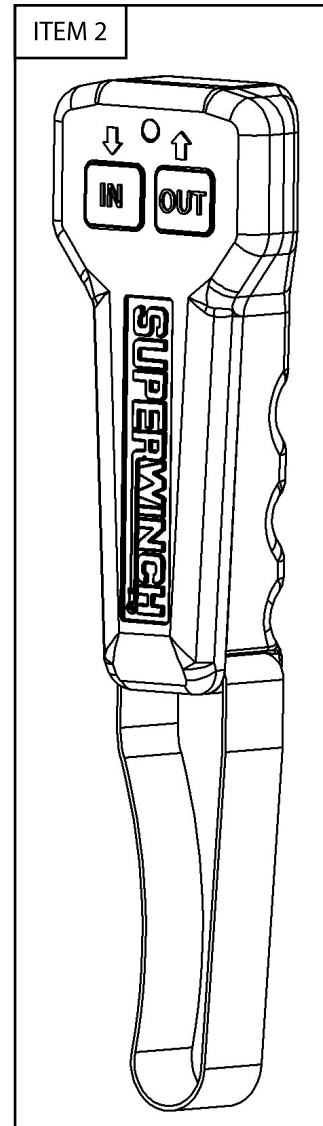
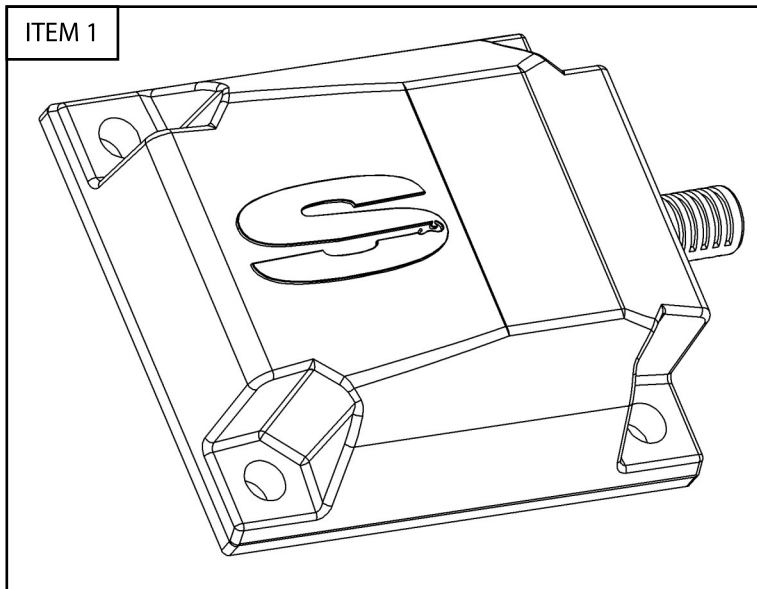


**SAVE THESE
INSTRUCTIONS**

CONTENTS

ITEM	QUANTITY	DESCRIPTION
1	1	RECEIVER
2	1	REMOTE
3	4	M6 SERRATED FLANGE NUT
4	4	M6 BUTTON HEAD BOLT
5	4	M6 SPLIT LOCK WASHER
6	4	M6 FLAT WASHER
7	1	GROMMET

ANTI-SEIZE LUBRICANT MUST BE USED ON ALL STAINLESS STEEL FASTENERS TO PREVENT THREAD DAMAGE AND GALLING



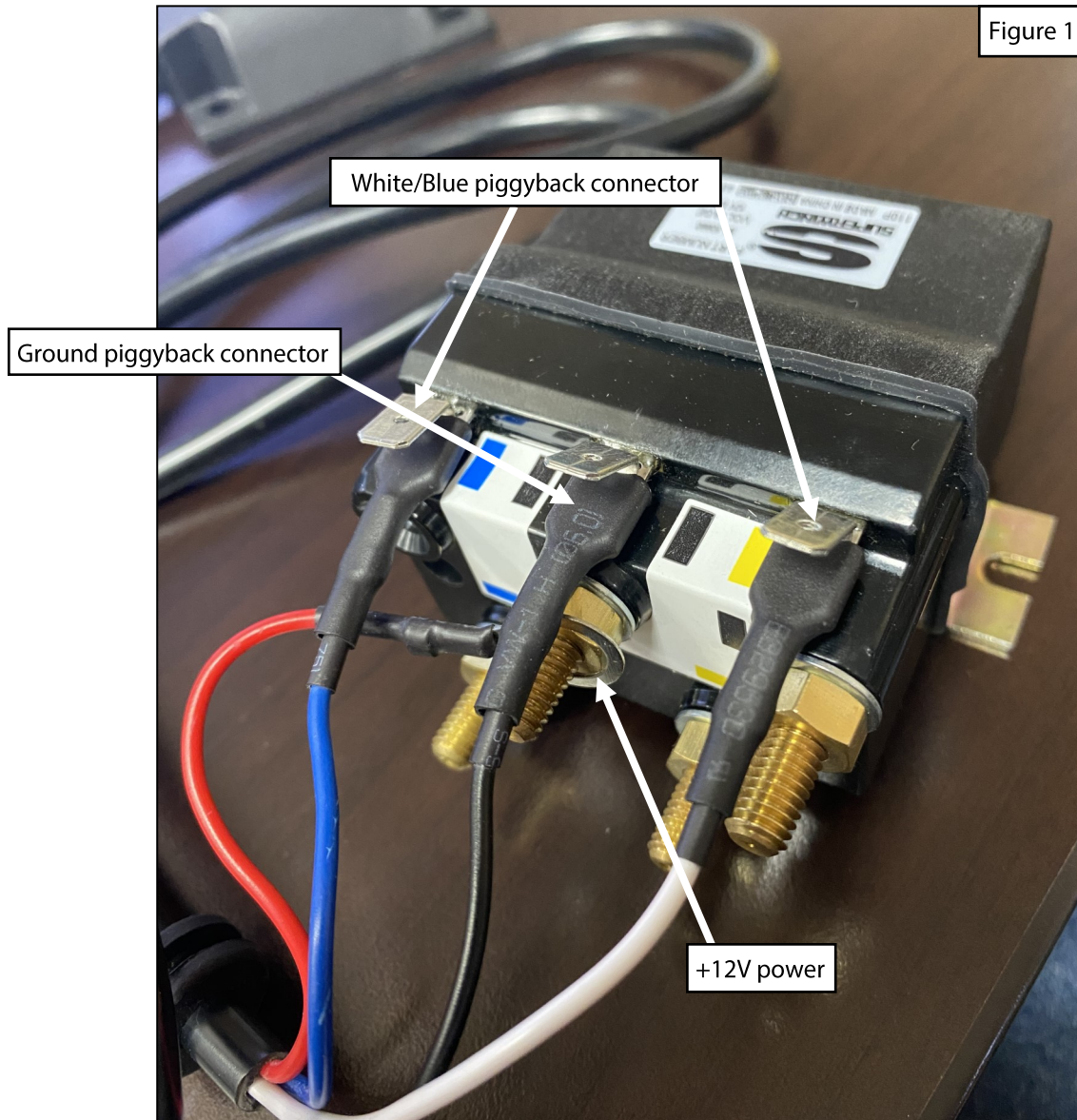
INSTALLATION INSTRUCTIONS

1. Remove contents from box, verify if all parts listed are present and free from damage. **Failure to identify damage before installation could lead to a rejection of any claim.**
2. Carefully read and understand all instructions before attempting installation. **Caution! Handling +12V systems without professional experience may occur in electrical shock or damage to the winch. Professional experience is highly recommended.**

3. Start by disconnecting the winch from any power source before installation.
4. Remove the control box cover on your winch to gain access to the contactor. Every control box is different, but generally there are 4 screws on the base that hold the cover on.
5. Drill a 7/16" hole in the side of the control box for wiring to run through.
6. Run the receiver wiring terminals through the hole in the control box.
7. Slide the grommet along the receiver cable towards the control box hole.
8. Install the grommet onto the control box hole over the receiver wires.
Note: *Do not attempt to install the grommet over the black insulation surrounding the receiver wires. Only slide the cable through the hole enough to install the grommet over the wires.*
9. Slide the cable through the grommet until some of the black insulation surrounding the receiver wires is inside the control box.

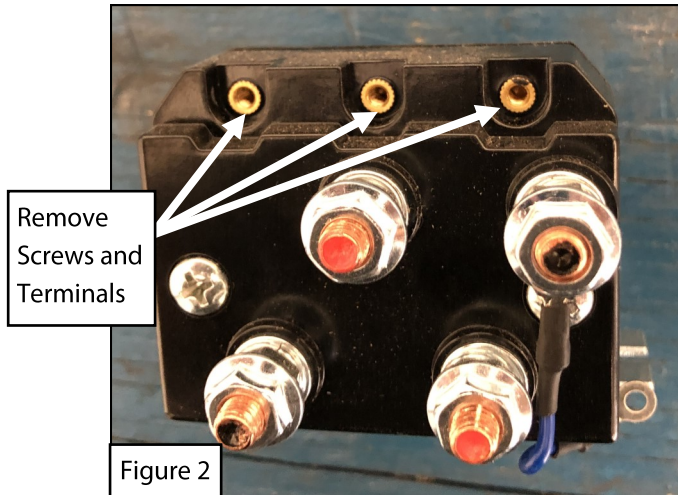
10. There are 4 wires to connect (See Figure 1) **NOTE: Remove wires one at a time to keep track of correct orientation. When connecting the blue/black/red piggyback connectors, remove the original wire, connect the piggyback connector, and reconnect the original wire to the piggyback connector.**

- The red wire connects to the +12V stud connection on the contactor.
- The black wire connects to ground on contactor (generally center connector).
- The blue and white wires connect to the outside connectors on the contactor. These may have to be swapped to engage the correct direction of operation. Test by reconnecting power and clicking the remote in either direction. If the direction of operation matches the direction indicated on the remote, disconnect the winch from the power supply. If the direction of operation does not match the direction indicated on the remote, disconnect power and switch the white and blue receiver wires. Switch the two wires connected to the white/blue piggyback connectors.

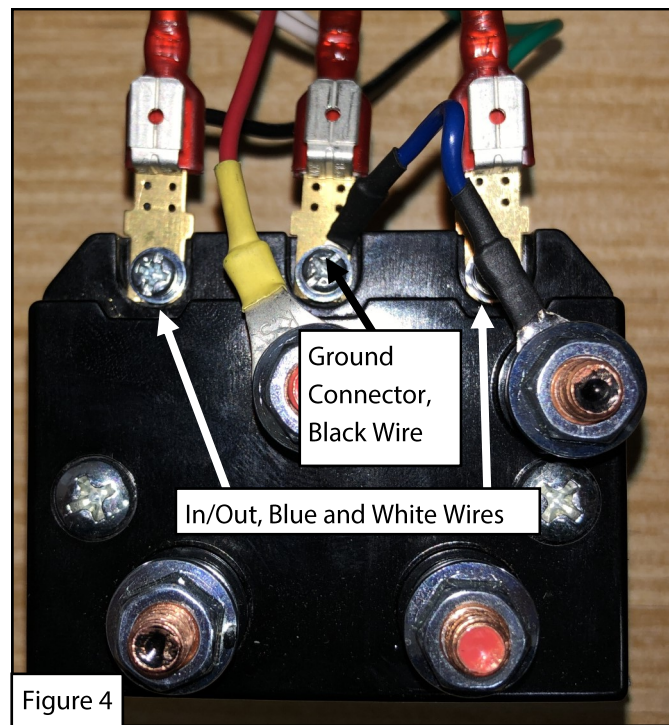
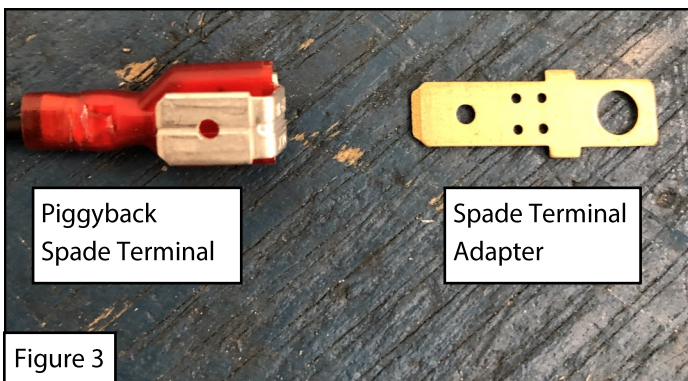


CONTACTORS WITHOUT SPADE TERMINALS

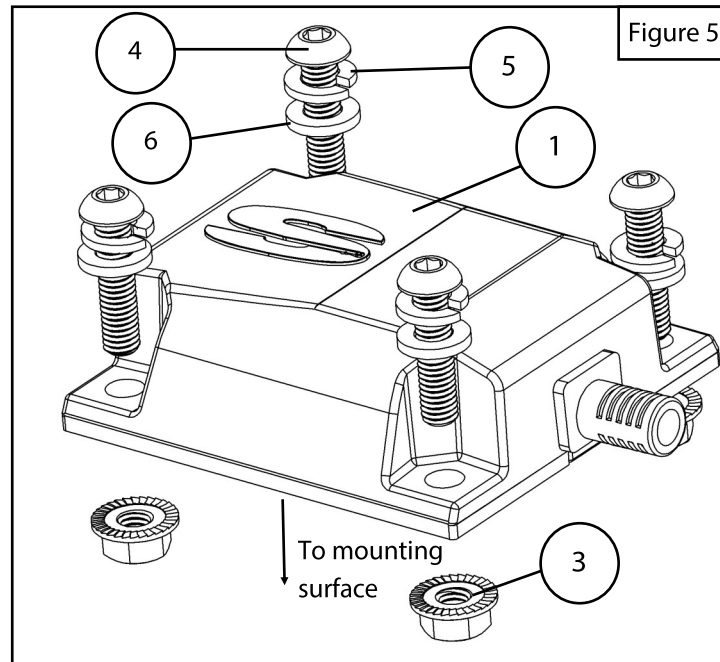
- For contactors without spade terminals, remove the screws and wired remote terminals from the top connectors. Remove wires one at a time to keep track of correct orientation. See **Figure 2**.



- Insert a spade terminal adapter into each piggyback spade terminal on the wireless receiver. See **Figure 3**.
- Use the screws that were previously removed from the contactor to connect the blue, white, and black wireless receiver wires and reconnect the wired remote. See **Figure 4**.

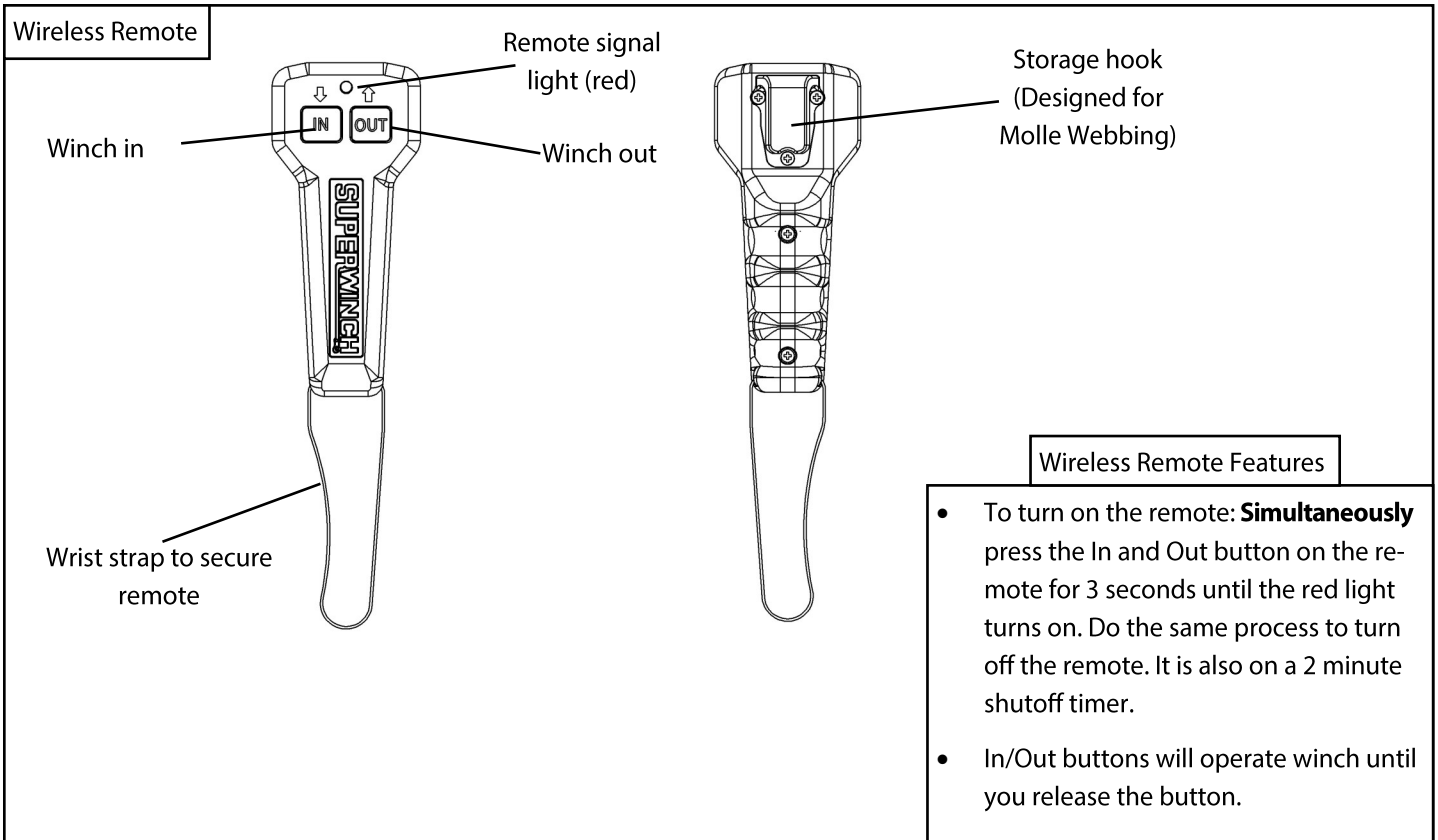


11. After ensuring connections are correct and functioning, re-install the control box cover and route wiring accordingly.
12. Find a desired location to mount the receiver. Using supplied M6 hardware, mount the receiver to the desired location. See **Figure 5**.



13. Torque M6 hardware to 5-7 ft-lbs. Re-connect 12V power to the winch.
14. Installation is now complete.

REMOTE FEATURES + OPERATION



WARNINGS

Failure to follow these instructions could lead to death, personal injury, and / or property damage.

FASTENERS:

All SUPERWINCH supplied fasteners must be utilized and installed in accordance with the installation instructions and apply torque to the specifications as defined. **DOUBLE CHECK ALL FASTENERS BEFORE INITIAL USE, AND PERIODICALLY IN THE FUTURE TO ENSURE PROPER FUNCTION AND SAFETY.**

EYE PROTECTION:

ALWAYS WEAR SAFETY GLASSES OR GOGGLES DURING THE INSTALLATION PROCESS TO AVOID PERSONAL INJURY.

FOR CALIFORNIA RESIDENTS ONLY-PROP 65 WARNING:

Some products may contain chemicals such as DEHP, which can cause cancer, birth defects or other reproductive harm. For more info go to www.p65warnings.ca.gov



For more information on this and other products,
or to be put in contact with a Superwinch sales
rep or distributor, call (800) 323- 2031
or email info@superwinch.com

SUPERWINCH
320 W. COVINA BLVD.
SAN DIMAS, CA 91773

© 2019 SUPERWINCH®, Superwinch®, and S Superwinch® (design) are registered trademarks of Superwinch Inc. in the United States and/or other countries.