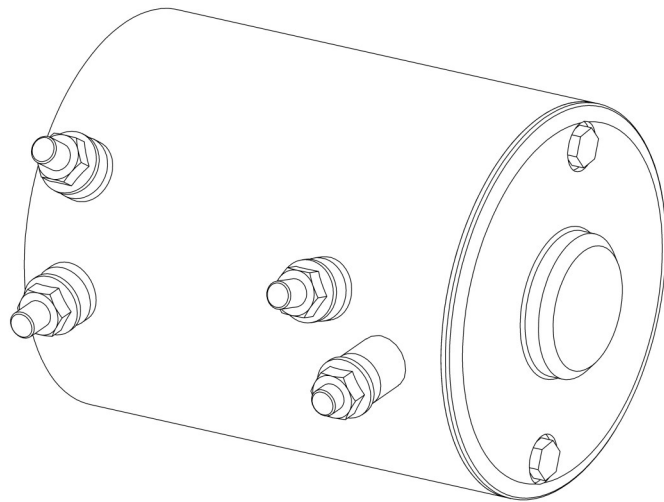




SX WINCH REPLACEMENT MOTOR



PART NUMBERS:

90-42648 - SX10/10SR MOTOR

90-42651 - SX12/12SR MOTOR



**SAVE THESE
INSTRUCTIONS**

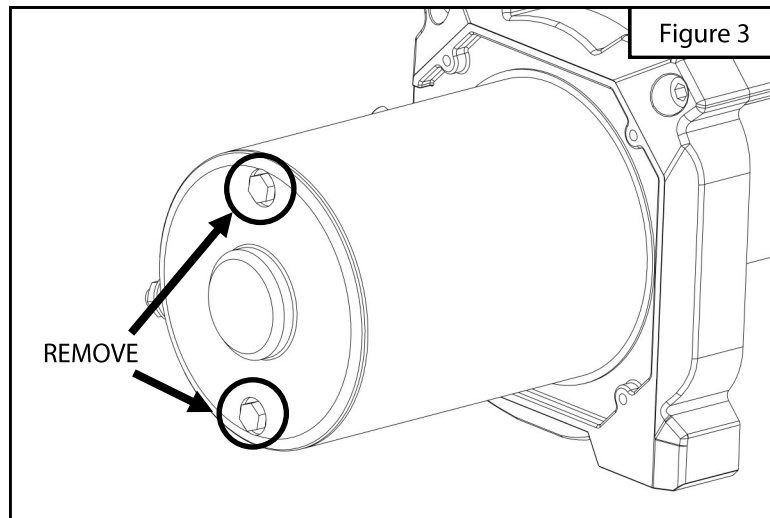
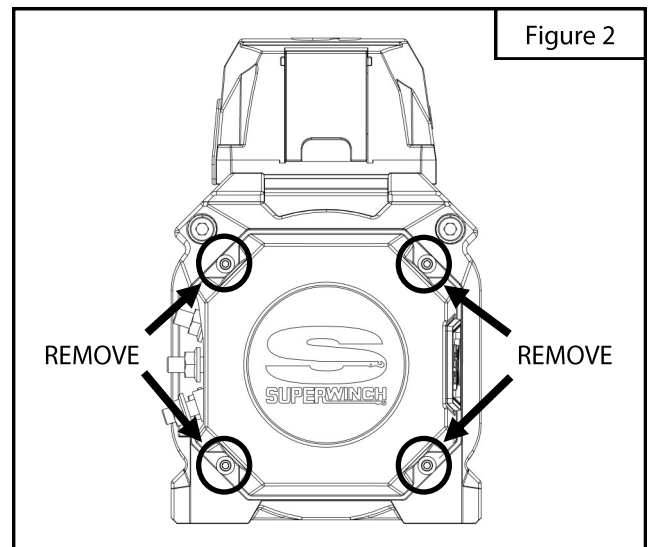
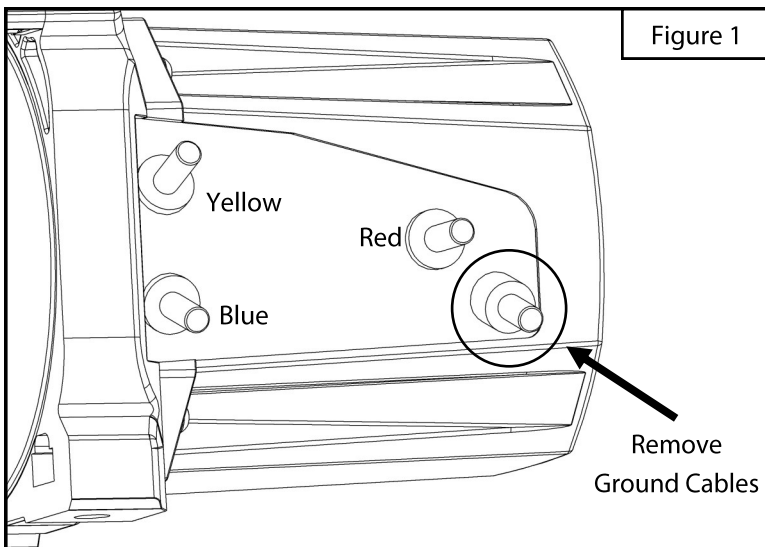
CONTENTS

ITEM	QUANTITY	DESCRIPTION
1	1	MOTOR
2	1	BALL BEARING

ANTI-SEIZE LUBRICANT MUST BE USED ON ALL STAINLESS STEEL FASTENERS TO PREVENT THREAD DAMAGE AND GALLING

INSTALLATION INSTRUCTIONS

1. Remove contents from box, verify if all parts listed are present and free from damage. **Failure to identify damage before installation could lead to a rejection of any claim.**
2. Carefully read and understand all instructions before attempting installation. **Ensure that all mounting hardware is torqued to specifications prior to use.**
3. Disconnect the power cable and ground cable from the battery.
4. Remove one M8 serrated flange nut from each motor terminal. See **Figure 1**.
5. Remove the motor cables from the red, yellow, and blue motor terminals. See **Figure 1**.
6. Remove the control box ground cable and battery ground cable from the motor ground terminal. See **Figure 1**.
7. Remove the motor cover by removing the four button head bolts holding it in place. See **Figure 2**.
8. Remove the original motor by removing the two bolts holding it in place. See **Figure 3**.



9. Remove the original ball bearing from drum support.
10. Insert the replacement ball bearing into the drum support.
11. Slide the replacement motor into place and fasten it to the drum support using the two motor bolts making sure that the motor gasket is still seated between the motor and the drum support.
12. Reinstall the motor cover using the hardware removed in **step 7**.
13. Use the M8 serrated flange nuts removed in **step 4** to attach the motor cables to the replacement motor terminals making sure to match the color of the motor terminal to the color of the motor cable.
14. Use the last M8 serrated flange nut removed in **step 4** to attach the control box ground cable and battery ground cable to the motor ground terminal.
15. Connect the power cable and ground cable to the battery.

WARNINGS

Failure to follow these instructions could lead to death, personal injury, and / or property damage.

FASTENERS:

All SUPERWINCH supplied fasteners must be utilized and installed in accordance with the installation instructions and apply torque to the specifications as defined. DOUBLE CHECK ALL FASTENERS BEFORE INITIAL USE, AND PERIODICALLY IN THE FUTURE TO ENSURE PROPER FUNCTION AND SAFETY.

EYE PROTECTION:

ALWAYS WEAR SAFETY GLASSES OR GOGGLES DURING THE INSTALLATION PROCESS TO AVOID PERSONAL INJURY.

FOR CALIFORNIA RESIDENTS ONLY-PROP 65 WARNING:

Some products may contain chemicals such as DEHP, which can cause cancer, birth defects or other reproductive harm. For more info go to www.p65warnings.ca.gov



For more information on this and other products,
or to be put in contact with a Superwinch sales
rep or distributor, call (800) 323- 2031
or email info@superwinch.com

SUPERWINCH
320 W. COVINA BLVD.
SAN DIMAS, CA 91773

© 2019 SUPERWINCH®, Superwinch®, and S Superwinch® (design) are registered trademarks of Superwinch Inc. in the United States and/or other countries.