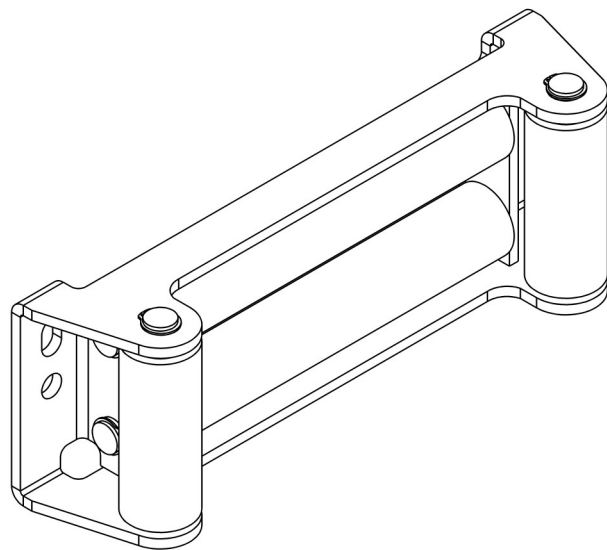




ROLLER FAIRLEAD



PART NUMBERS:

S100506: Roller Fairlead, SI 8/10/12/15/18
Hydraulic Winches Standard Drum

S100507: Roller Fairlead, SI 8/10/12/15/18
Hydraulic Winches Narrow Drum



**SAVE THESE
INSTRUCTIONS**

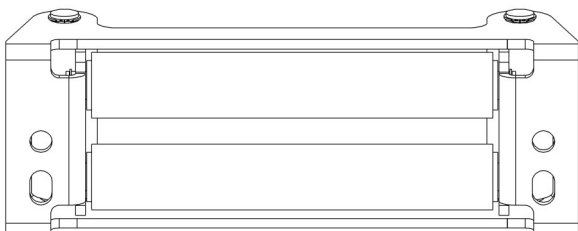
FAIRLEAD PART NUMBERS

FAIRLEAD PART NUMBER	COMPATIBLE WINCH MODELS
S100506	SI 8/10/12/15/18 Hydraulic Winches Standard Drum
S100507	SI 8/10/12/15/18 Hydraulic Winches Narrow Drum

CONTENTS

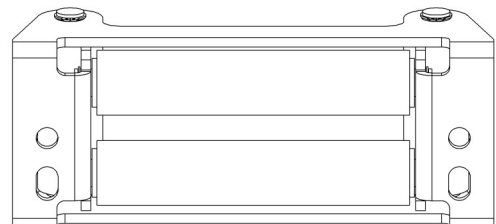
ITEM	QUANTITY	DESCRIPTION
1	2	ROLLER FAIRLEAD
2	4	M12 BOLT (S/S)
3	4	M12 SPLIT LOCK WASHER (S/S)
4	4	M12 FLAT WASHER
ANTI-SEIZE LUBRICANT MUST BE USED ON ALL STAINLESS STEEL FASTENERS TO PREVENT THREAD DAMAGE AND GALLING		

ROLLER FAIRLEAD



ITEM 1 (STANDARD DRUM)

ROLLER FAIRLEAD



ITEM 1 (NARROW DRUM)

INSTALLATION INSTRUCTIONS

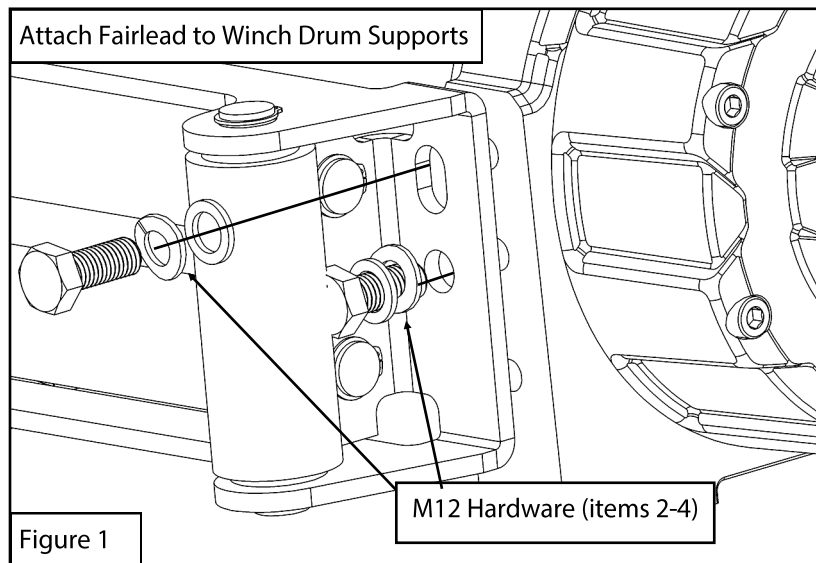
1. Remove contents from box, verify if all parts listed are present and free from damage.

Carefully read and understand all instructions before attempting installation.

Failure to identify damage before installation could lead to a rejection of any claim.

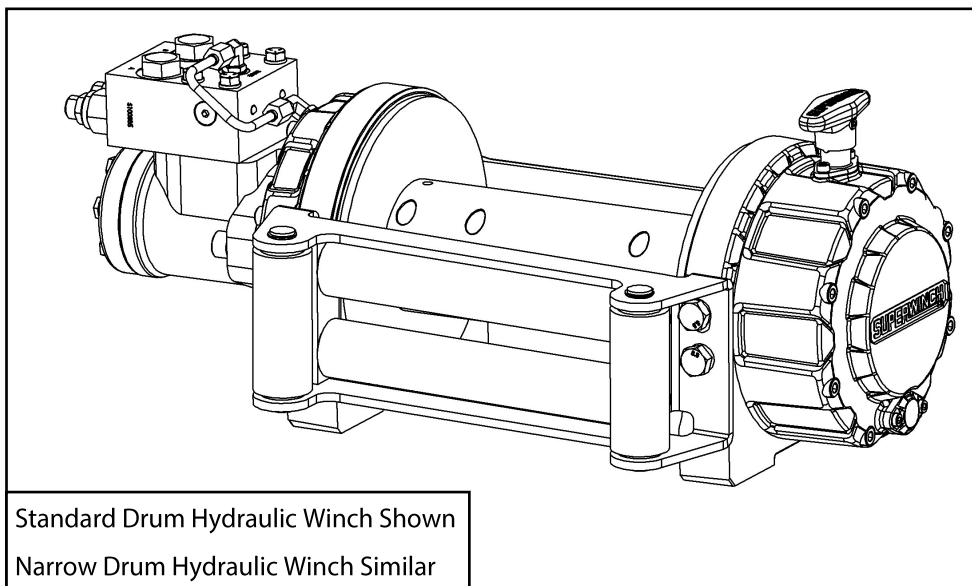
2. Using the included M12 hardware (items 2-4), attach the Roller Fairlead (item 1) to the winch.

Note: The Fairlead can be mounted on either side as the winch can be used in either direction. Install the fairlead on the front of the winch so that the rope will run through the Roller Fairlead. See **Figure 1**.



3. Torque M12 Hardware to 50-55 ft-lbs.

INSTALL COMPLETE



WARNING

Failure to follow these instructions could lead to death, personal injury, and / or property damage.

FASTENERS:

All SUPERWINCH supplied fasteners must be utilized and installed in accordance with the installation instructions and apply torque to the specifications as defined. **DOUBLE CHECK ALL FASTENERS BEFORE INITIAL USE, AND PERIODICALLY IN THE FUTURE TO ENSURE PROPER FUNCTION AND SAFETY.**

EYE PROTECTION:

ALWAYS WEAR SAFETY GLASSES OR GOGGLES DURING THE INSTALLATION PROCESS TO AVOID PERSONAL INJURY.

FOR CALIFORNIA RESIDENTS ONLY-PROP 65 WARNING:

Some products may contain chemicals such as DEHP, which can cause cancer, birth defects or other reproductive harm. For more info go to www.p65warnings.ca.gov



For more information on this and other products, or to be put in contact with a Superwinch sales rep or distributor, call +1 (800) 323- 2031 for US or email info@superwinch.com

SUPERWINCH
320 W. COVINA BLVD.
SAN DIMAS, CA 91773