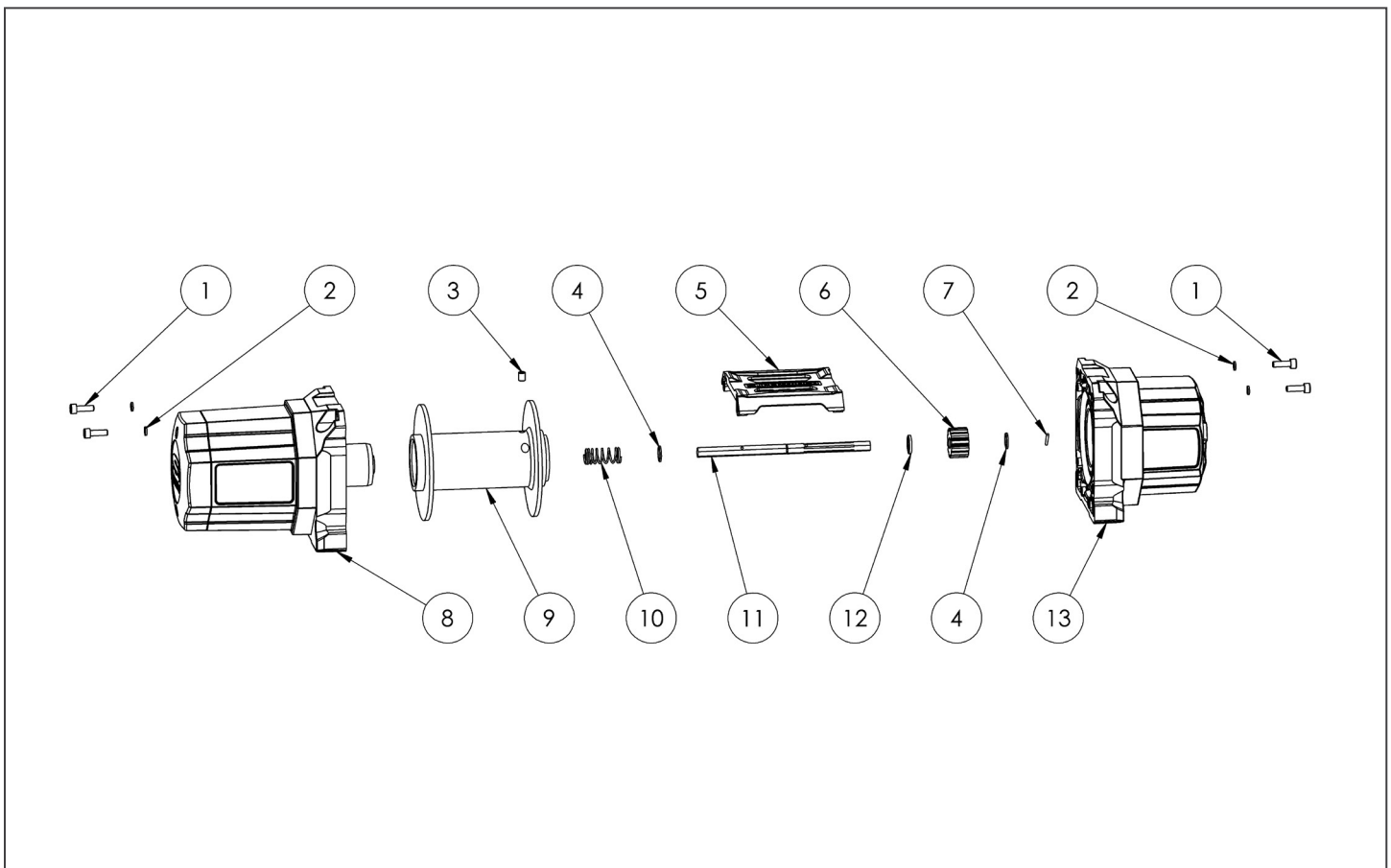


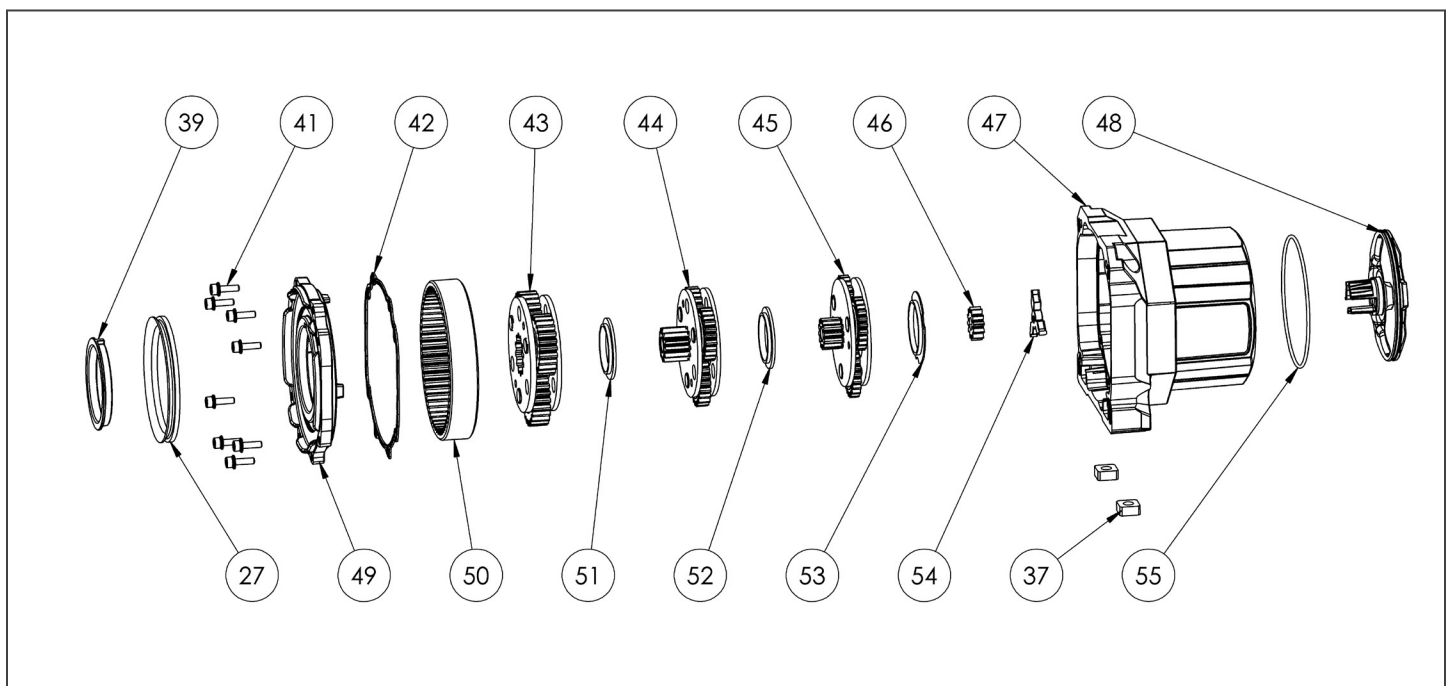
SP SERIES SERVICE PARTS

		SP35	SP35SR	SP45	SP45SR
	DESCRIPTION	PART NUMBER		PART NUMBER	
N/A	Cables	90-42754	90-42754	90-42754	90-42754
N/A	Circuit Breaker	87-14541	87-14541	87-14541	87-14541
N/A	Contactor	98-10880	98-10880	98-10880	98-10880
N/A	Hawse Fairlead	N/A	90-42761	N/A	90-42761
14, 15, 16, 17, 18, 19, 20, 21, 22, 23, 24, 25, 26, 27, 28, 29, 30, 31, 32, 33, 34, 35, 36, 37, 38, 39, 40	Motor	90-42755	90-42755	90-42756	90-42756
N/A	Remote Socket Assembly	90-42759	90-42759	90-42759	90-42759
N/A	Roller Fairlead	87-41340-01	N/A	87-41340-01	N/A
3, 10, 15, 22, 25, 27, 35, 36, 38, 42, 51, 52, 53, 55	Small Parts Kit	90-42753	90-42753	90-42753	90-42753
N/A	Synthetic Winch Rope	N/A	90-24600	N/A	90-24600
N/A	Wire Winch Rope	90-24599	N/A	90-24599	N/A
N/A	Wiring Harness	90-42760	90-42760	90-42760	90-42760
N/A	Wired Remote Control	2275	2275	2275	2275

ITEM NO.	PART NUMBER	DESCRIPTION	QTY.
1	1145240-1-7	Screw, Socket Head M5-0.8 X 16mm	4
2	1710200-11-5	Split Lock Washer, M5	4
3	1125260-1-9	Set Screw, M6-1.0 X 8mm	1
4	1125260-1-4-4	Retaining Washer	2
5	1145240-1-2	Tie Bar	1
6	1125260-1-4-3	Gear, Drum Hub	1
7	1125260-1-4-5	Retaining Pin	1
8	1145240-1-5	Gearbox End Assembly	1
9	1145240-1-3	Drum	1
10	1125260-1-4-6	Spring, Clutch	1
11	1145240-1-6	Drive Shaft	1
12	1145240-1-11-2	Hex Spacer	1
13	1145240-1-1	Motor End Assembly	1



ITEM NO.	PART NUMBER	DESCRIPTION	QTY.
27	1145240-1-1-3	Drum Gasket	1
37	1145240-1-12	Square Nut, M8-1.25	2
39	1145240-1-1-2	Drum Bearing	1
41	1145240-1-5-18	Screw, Socket Head SEMS M4-0.7 X 15mm	8
42	1145240-1-5-22	Gasket, Gearbox	1
43	1125260-1-3-9	3rd Stage Planetary Assembly	1
44	1135260-1-3-8	2nd Stage Planetary Assembly	1
45	1135260-1-3-6	1st Stage Planetary Assembly	1
46	1135260-1-3-7	1st Stage Sun Gear	1
47	1145240-1-5-1	Gearbox	1
48	1145240-1-5-10	Clutch Handle	1
49	1145240-1-5-2	Retainer, 3rd Stage Ring Gear	1
50	1125260-1-3-5	Ring Gear, 3rd Stage	1
51	1125260-1-3-95	Thrust Bearing, 3rd Stage	1
52	1135260-1-3-85	Thrust Bearing, 2nd Stage	1
53	1135260-1-3-65	Thrust Bearing, 1st Stage	1
54	1125260-1-3-97	Clutch Mechanism	1
55	1145240-1-5-21	O-Ring, Clutch	1



ITEM NO.	PART NUMBER	DESCRIPTION	QTY.
14	1145240-1-1-16	Screw, Square Head M6-1.0 X 27	2
15	1125260-1-1-29	O-Ring, 8mm O.D	4
16	1145240-1-1-17	Nut, Serrated Flange M6-1.0	4
17	1125260-11-6	Flat Washer, M6	2
18	1125260-1-1-28	Insulator, Yellow	1
19	1125260-1-1-14	Insulator, Blue	1
20	1145240-1-1-15	Retainer, Terminal Screw	2
21	1145240-1-1-9	Motor Contact Housing	1
22	1145240-1-1-22	Gasket, Motor "A"	1
23	1125260-1-1-5	Stator	1
24	1125260-1-1-24	Snap Ring, 34mm ID Groove	1
25	1145240-1-1-30	O-Ring, 9mm O.D.	1
26	1145240-1-1-1	Drum Support, Motor End	1
27	1145240-1-1-3	Drum Gasket	1
28	1145240-1-1-26	Adapter, Motor-Brake	1
29	1145240-1-1-27	Adapter, Driveshaft-Brake	1
30	1125260-1-1-18	Screw, Cap Head M5-0.8 x 125mm	2
31	1145240-1-1-13	Motor Cap	1
32	1145240-1-1-12	Screw, Pan Head Phillips M5-0.8 X 10mm	2
33	1145240-1-1-4	Motor Cover	1
34	1145260-1-1-6 (SP 45/45SR) 1235200-1-1-6 (SP 35/35SR)	Rotor	1
35	1145240-1-1-7	Ball Bearing, 32mm O.D.	1
36	1145240-1-1-23	Gasket, Motor "B"	1
37	1145240-1-12	Square Nut, M8-1.25	2
38	1145240-1-1-21	Screw, Socket Head M5-0.8 X 18mm	4
39	1145240-1-1-2	Drum Bearing	1
40	1145240-1-1-25	Spring, Brake	1

