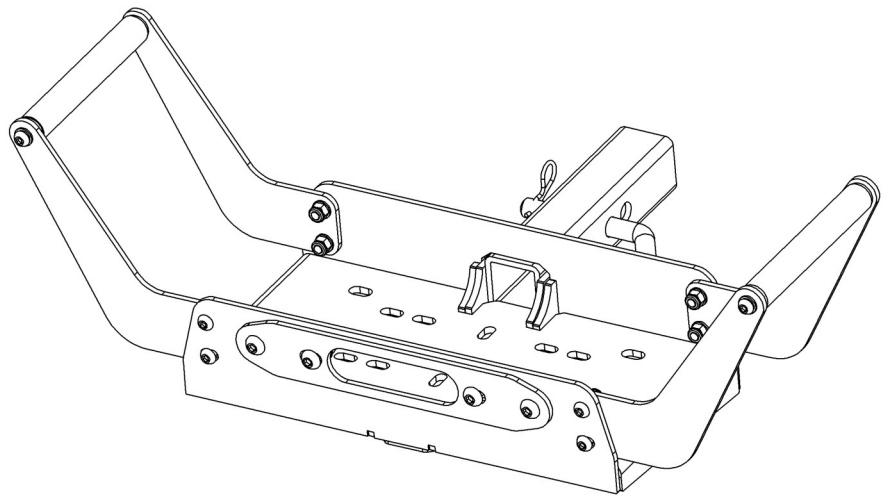




# Cradle Hitch Mount



PART NUMBER: 2050

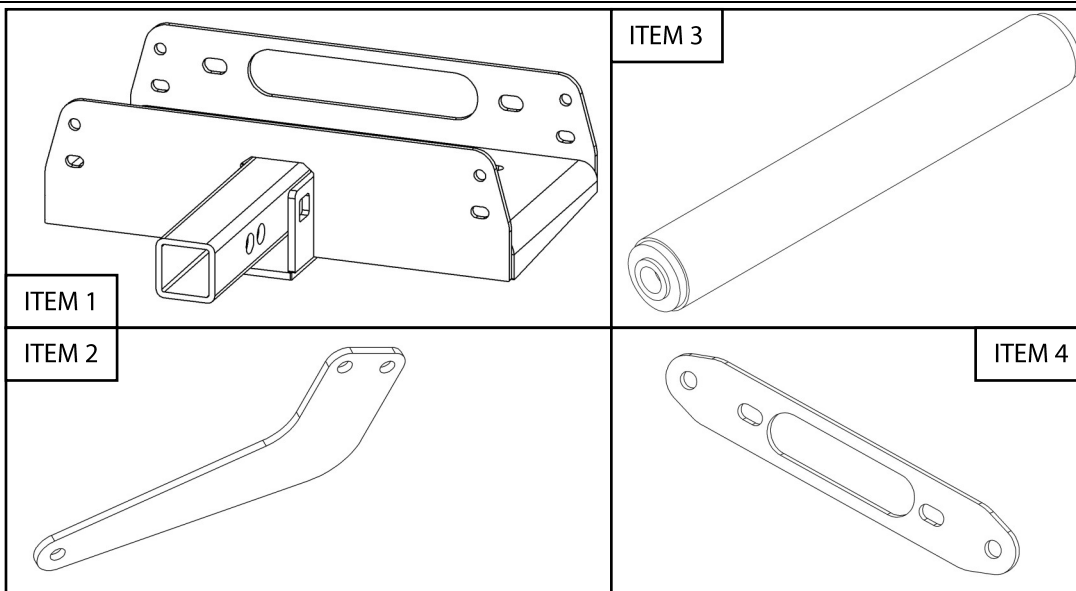


**SAVE THESE  
INSTRUCTIONS**

# CONTENTS

ITEM	QUANTITY	DESCRIPTION
1	1	CRADLE HITCH MOUNT
2	4	CRADLE ARM PLATE
3	2	CRADLE TUBE
4	1	FAIRLEAD ADAPTER PLATE
5	1	HITCH PIN
6	1	HITCH PIN CLIP
7	12	M8 BUTTON HEAD BOLT (BLACK ZINC)
8	12	M8 FLAT WASHER (BLACK ZINC)
9	8	M8 NYLON LOCK NUT (BLACK ZINC)
10	4	M8 SPLIT LOCK WASHER (BLACK ZINC)
11	4	M10 BUTTON HEAD BOLT (BLACK ZINC)
12	4	M10 FLAT WASHER (BLACK ZINC)
13	4	M10 NYLON LOCK NUT (BLACK ZINC)
14	4	M10 HEX HEAD BOLT (YELLOW ZINC)
15	4	M10 SQUARE NUT (YELLOW ZINC)
16	4	M10 FLAT WASHER (YELLOW ZINC)
17	4	M10 SPLIT LOCK WASHER (YELLOW ZINC)
18	4	M8 HEX HEAD BOLT (YELLOW ZINC)
19	4	M8 SQUARE NUT (YELLOW ZINC)
20	4	M8 FLAT WASHER (YELLOW ZINC)
21	4	M8 SPLIT LOCK WASHER (YELLOW ZINC)

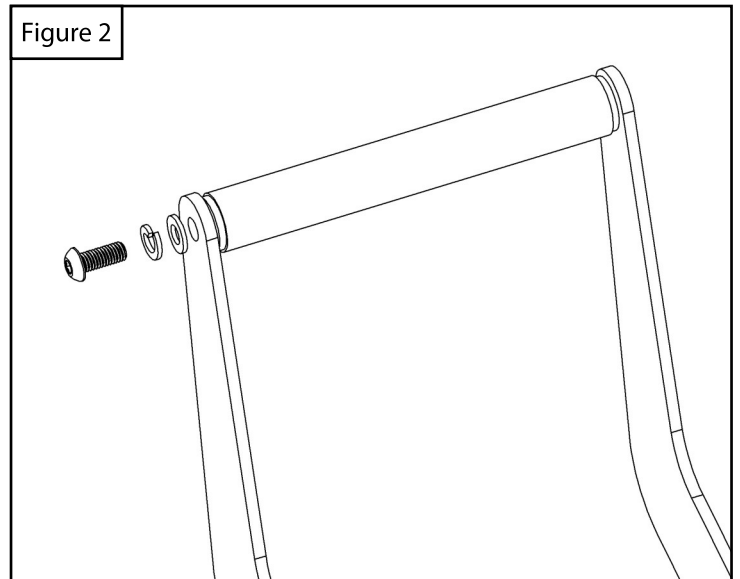
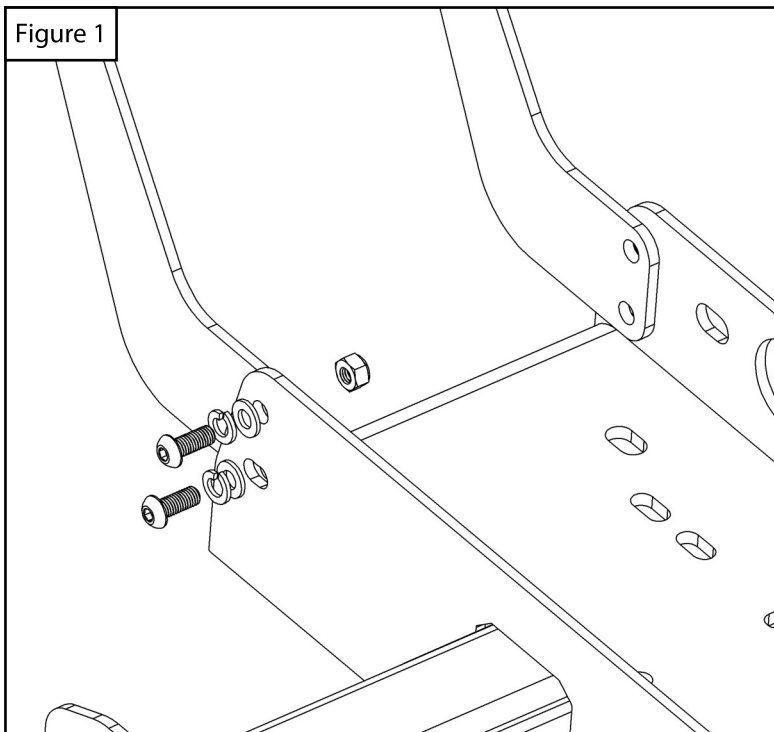
**ANTI-SEIZE LUBRICANT MUST BE USED ON ALL STAINLESS STEEL FASTENERS TO PREVENT THREAD DAMAGE AND GALLING**



# INSTALLATION INSTRUCTIONS

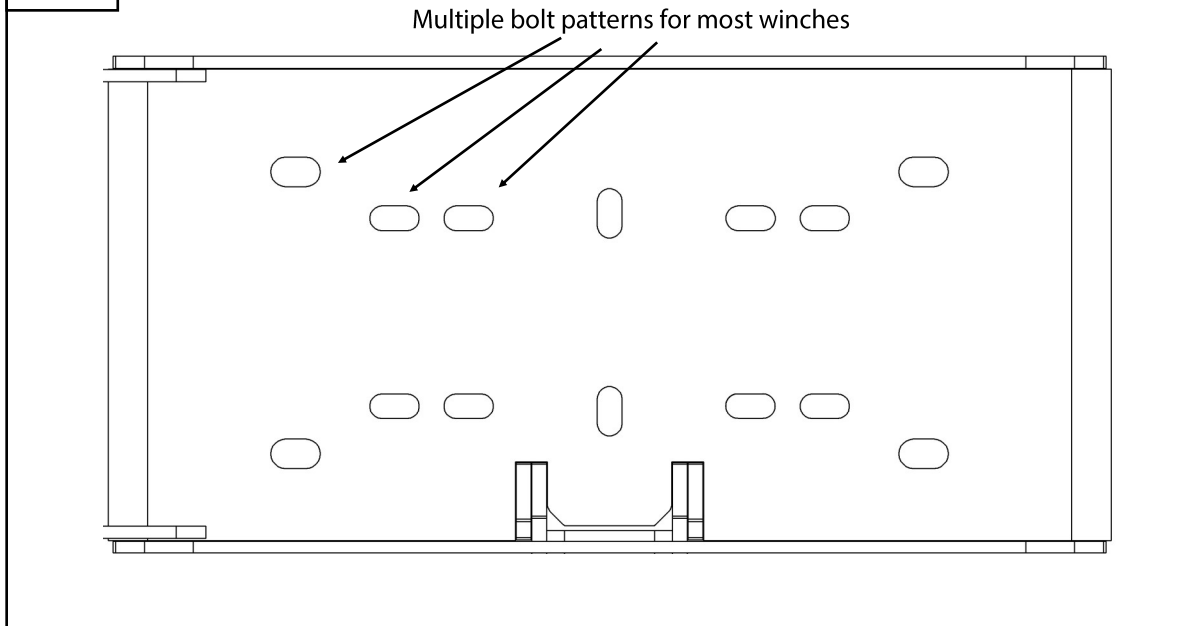
1. Remove contents from box, verify if all parts listed are present and free from damage. **Failure to identify damage before installation could lead to a rejection of any claim.**
2. Carefully read and understand all instructions before attempting installation.

3. Locate the Cradle Hitch Mount (item 1) and 4 Cradle Arm Plates (item 2). Using M8 hardware (items 7-10), loosely assemble the arms to the cradle. See **Figure 1**.
4. Using M8 hardware (items 7, 8, and 10) loosely assemble the handles to the cradle arm plates. See **Figure 2**.



5. Using the supplied M10 hardware (items 11-13), loosely install the fairlead to the front of the Cradle Hitch Mount. **Note:** Install Fairlead Adapter Plate (item 4) for narrow fairleads.
6. Using supplied hardware, mount your winch to the Cradle Hitch Mount. The Cradle Hitch Mount will accept most standard winches. See **Figure 3**.
7. Tighten all M8 hardware to 15-18 ft-lbs.
8. Tighten all M10 hardware to 32 ft-lbs.
9. Slide the Cradle Hitch Mount into a 2" receiver hitch.
10. Use the included Hitch Pin (item 5) and Hitch Pin Clip (item 6) to secure the Cradle Hitch Mount. **Note:** There are 2 possible positions to secure the Cradle Hitch Mount. Use the option that allows the Cradle Hitch Mount to slide as far into the receiver hitch as possible.

Figure 3



INSTALLATION COMPLETE



Winch sold separately

**Failure to follow these instructions could lead to death, personal injury, and / or property damage.**

**FASTENERS:**

**All SUPERWINCH supplied fasteners must be utilized and installed in accordance with the installation instructions and apply torque to the specifications as defined. DOUBLE CHECK ALL FASTENERS BEFORE INITIAL USE, AND PERIODICALLY IN THE FUTURE TO ENSURE PROPER FUNCTION AND SAFETY.**

**EYE PROTECTION:**

**ALWAYS WEAR SAFETY GLASSES OR GOGGLES DURING THE INSTALLATION PROCESS TO AVOID PERSONAL INJURY.**

**FOR CALIFORNIA RESIDENTS ONLY-PROP 65 WARNING:**

**Some products may contain chemicals such as DEHP, which can cause cancer, birth defects or other reproductive harm. For more info go to [www.p65warnings.ca.gov](http://www.p65warnings.ca.gov)**



For more information on this and other products,  
or to be put in contact with a Superwinch sales  
rep or distributor, call (800) 323- 2031  
or email [info@superwinch.com](mailto:info@superwinch.com)

**SUPERWINCH**  
**320 W. COVINA BLVD.**  
**SAN DIMAS, CA 91773**

© 2019 SUPERWINCH®, Superwinch®, and S Superwinch® (design) are registered trademarks of Superwinch Inc. in the United States and/or other countries.