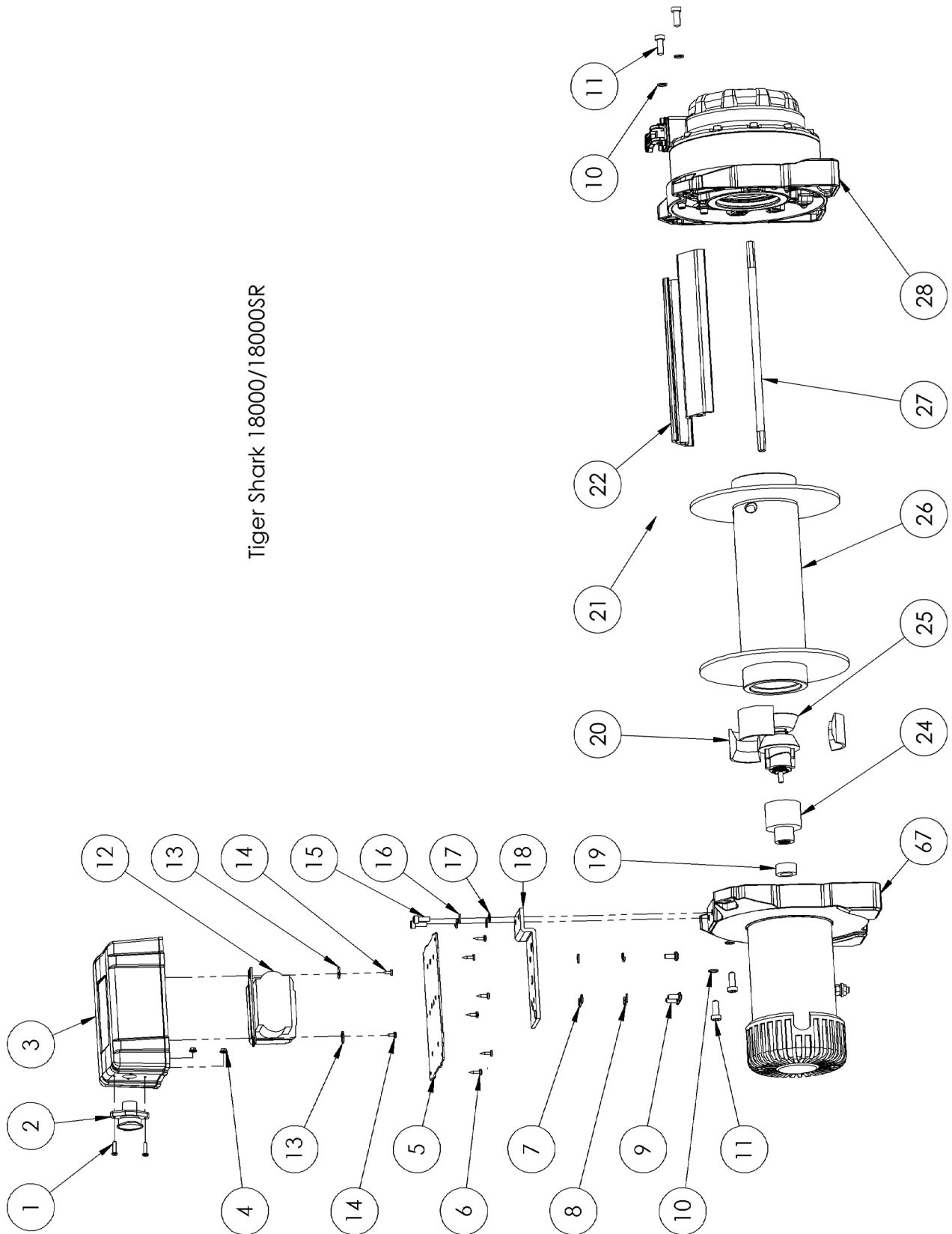


## LARGE FRAME TIGER SHARK SERVICE PARTS

DESCRIPTION	TIGER SHARK 18000		TIGER SHARK 18000SR	
	PART NUMBER	CONTENTS	PART NUMBER	CONTENTS
Power Cables	90-42661	Not Shown	90-42661	Not Shown
Contactora	90-42658	12	90-42658	12
Control Box Assembly (Includes Contactor)	90-42643	1, 2, 3, 4, 5, 6, 7, 8, 9, 12, 13, 14, 15, 16, 17, 18	90-42643	1, 2, 3, 4, 5, 6, 7, 8, 9, 12, 13, 14, 15, 16, 17, 18
Clutch Assembly	90-42649	78, 79, 81, 82, 83, 84, 85, 86	90-42649	78, 79, 81, 82, 83, 84, 85, 86
Hook Assembly	90-42655	Not Shown	90-42655	Not Shown
Motor Assembly	90-42646	29, 30, 31, 32, 33, 34, 35, 37, 38, 39, 40, 41, 42, 43, 44, 45	90-42646	29, 30, 31, 32, 33, 34, 35, 37, 38, 39, 40, 41, 42, 43, 44, 45
Small Parts Kit (Includes Brake Assembly)	90-42652	20, 25, 31, 35, 38, 39, 40, 45, 46, 65, 68, 73, 77, 83, 85	90-42652	20, 25, 31, 35, 38, 39, 40, 45, 46, 65, 68, 73, 77, 83, 85
Remote Socket Assembly	90-24581	Not Shown	90-24581	Not Shown
Hawse Fairlead (Not Shown)	N/A	Not Shown	90-24572	Not Shown
Roller Fairlead (Not Shown)	S100507	Not Shown	N/A	Not Shown
Synthetic Winch Rope (Not Shown)	N/A	Not Shown	90-24598	Not Shown
Wired Remote Control (Not Shown)	2275	Not Shown	2275	Not Shown
Wire Winch Rope (Not Shown)	90-24563	Not Shown	N/A	Not Shown

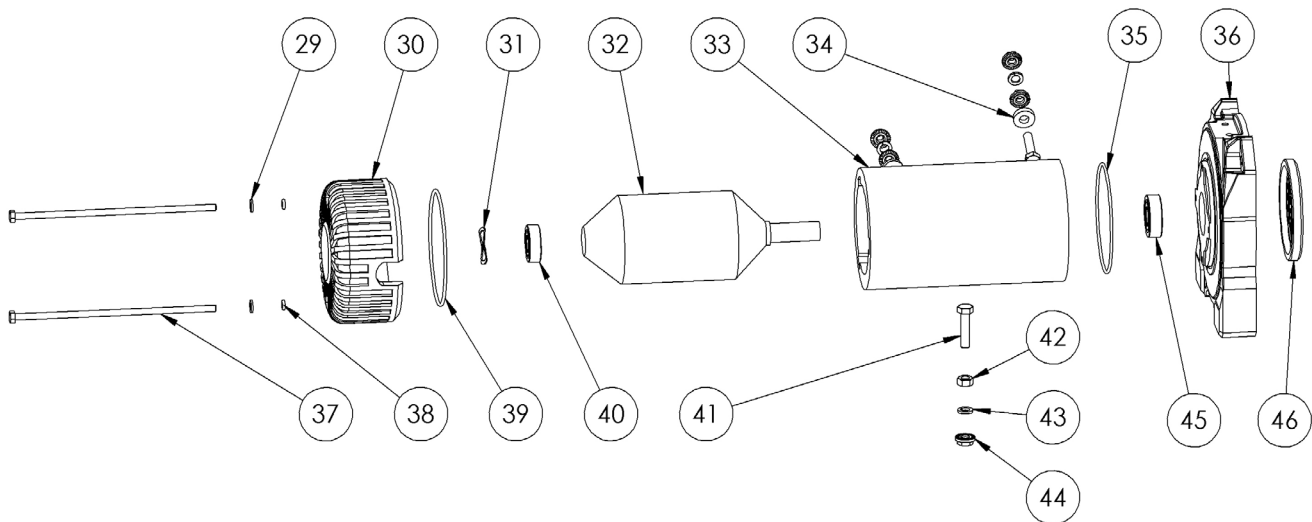
ITEM NO.	PART NUMBER	DESCRIPTION	QTY.
1	1518000-1-10-19	Screw, Pan Head Phillips M4-0.7 X 16mm	2
2	1518000-1-10-4	Socket	1
3	1518000-1-10-3	Lid, Control Box	1
4	1518000-1-10-20	Serrated Flange Nut, M4-0.7	2
5	1518000-1-10-1	Plate, Control Box Base	1
6	1518000-1-10-18	Screw, Pan Head Phillips	6
7	1515000-1-10-16	Flat Washer, M6	3
8	1515000-1-10-15	Split Lock Washer, M6	3
9	1515000-1-10-14	Screw, Pan Head Phillips M6 X 13mm	3
10	1518000-1-12	Split Lock Washer, M8	4
11	1518000-1-11	Screw, Socket Head M8-1.25 X 25mm	4
12	1518000-1-10-5	Contactora, 12V	1
13	1518000-1-10-22	Retaining Plate	2
14	1518000-1-10-21	Screw, Pan Head Phillips	2
15	N/A	Screw, Socket Head M6-1.0 X 16mm	2
16	N/A	Split Lock Washer, M6	2
17	N/A	Flat Washer, M6	2
18	1518000-1-10-2	Bracket, Control Box	1
19	1515000-1-14	Spacer, Motor Adapter	1
20	1518000-1-7	Brake Pad	3
21	1515000-1-13	Screw, Set M8-1.25 X 8mm	1
22	1515000-1-3	Tie Bar	2
23	1515000-1-1	Motor End Assembly	1
24	1518000-1-8	Adapter, Brake-Motor	1
25	1515000-1-6	Cone Brake Actuator Assembly	1
26	1515000-1-4	Drum	1
27	1515000-1-5	Drive Shaft	1
28	1515000-1-9	Gearbox End Assembly	1

Tiger Shark 18000/18000SR



ITEM NO.	PART NUMBER	DESCRIPTION	QTY.
29	1518000-1-1-11	Flat Washer, M6	2
30	1518000-1-1-9	Motor Cap	1
31	1515000-1-1-12	Spacer, Ball Bearing	1
32	1518000-1-1-7	Armature	1
33	1518000-1-1-6	Motor Housing (Includes Stator)	1
34	1518000-1-1-14 1518000-1-1-15 1518000-1-1-16	Insulator, Red Insulator, Black Insulator, Yellow	1 1 1
35	1518000-1-1-8	Motor Seal	1
36	1515000-1-1-2 (P#'s 1515000, 1515001) 1518000-1-1-2 (P#'s 1518000, 1518001)	Drum Support, Motor End	1
37	1518000-1-1-10	Screw, Hex Head M6-1.0 X 190mm	2
38	1518000-1-1-12	O-Ring, Motor Bolt	2
39	1518000-1-1-81	Motor End Seal	1
40	1515000-1-1-11	Ball Bearing	1
41	1518000-1-1-13	Motor Terminal	4
42	1518000-1-1-17	Hex Nut, M8-1.25	1
43	1518000-1-1-19	Splitlock Washer, M8	4
44	1518000-1-1-18	Serrated Flange Nut, M8	7
45	1518000-1-1-4	Roller Bearing, Motor	1
46	1515000-1-1-3 (P#'s 1515000, 1515001) 1518000-1-1-3 (P#'s 1518000, 1518001)	Seal, Drum Support	1

Tiger Shark 15000/15000SR/18000/18000SR Motor End Assembly



ITEM NO.	PART NUMBER	DESCRIPTION	QTY.
13	1518000-1-10-22	Face Seal	1
46	1518000-1-1-3	Seal, Drum Support	1
72	1518000-1-9-14	Ring Gear Bolts	23
73	1518000-1-9-2	Ring Gear Gasket	2
74	1518000-1-9-12	3rd Stage Planetary Assembly	1
75	1518000-1-9-11	2nd Stage Planetary Assembly	1
76	1518000-1-9-10	1st Stage Planetary Assembly	1
77	1518000-1-9-9	Bushing, Gear Box	1
78	1518000-1-9-135	Retaining Pin, Clutch	1
79	1518000-1-9-136	Snap Ring, 4mm OD	2
80	1518000-1-9-21	Screw, Socket Head M4 SEMS	4
81	1518000-1-9-131	Clutch Handle	1
82	1518000-1-9-132	Clutch Mounting Plate	1
83	1518000-1-9-137	Gasket, Clutch	1
84	1518000-1-9-138	Washer, Clutch	1
85	1518000-1-9-134	Spring, Clutch	1
86	1518000-1-9-133	Clutch Pin	1
87	1518000-1-9-15	Splitlock Washer, M6	23
88	1518000-1-9-1	Drum Support, Gearbox End	1
89	1518000-1-9-3	Ring Gear, 3rd Stage	1
90	1518000-1-9-22	Screw, Pan Head Phillips M4-0.5 X 8mm	2
91	1518000-1-9-4	Ring Gear, 2nd Stage	1
92	1518000-1-9-5	Ring Gear, 1st Stage	1
93	1518000-1-9-6	Sun Gear, 1st Stage	1
94	90-42652-11	Spacer Plate	1
95	1518000-1-9-7	Gearbox	1

