

INSTALLATION INSTRUCTIONS

UTV Winch Bumper

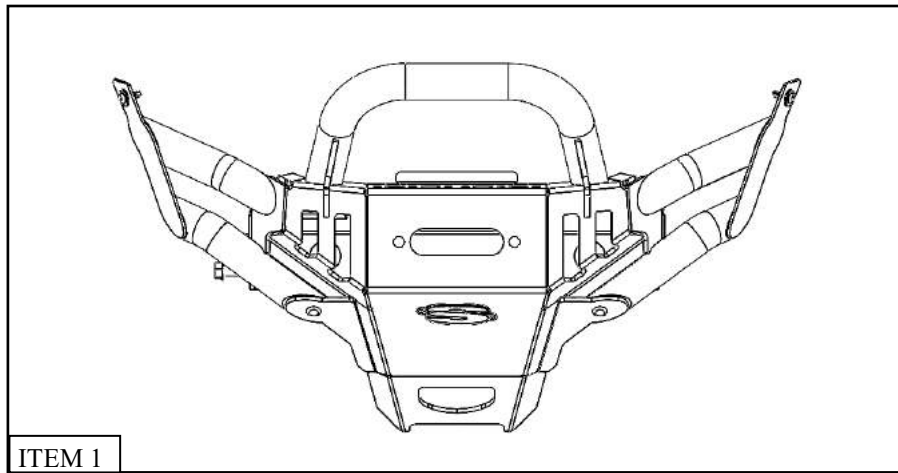


APPLICATION:
Polaris RZR Pro XP 2020-2024

PART NUMBER:
2501005

CONTENT			
ITEM	QUANTITY	DESCRIPTION	TOOLS NEEDED
1	1	UTV Winch Bumper	10MM SOCKET
2	4	M12 HEX DRIVE SCREW	RATCHET
3	4	M12 FLAT WASHER	8MM ALLEN KEY
4	4	M12 SERRATED FLANGE NUT	6MM ALLEN KEY
5	2	M10 HEX DRIVE SCREW	4MM ALLEN KEY
6	2	M10 FLAT WASHER	1/4" DRILL BIT
7	2	M10 SERRATED FLANGE NUT	DRILL
8	2	M6 HEX DRIVE SCREW	
9	2	M6 FLAT WASHER	
10	2	M6 NYLON LOCKNUT	
11	2	M8 HEX DRIVE SCREW	

ANTI-SEIZE LUBRICANT MUST BE USED ON ALL STAINLESS STEEL FASTENERS TO PREVENT THREAD DAMAGE AND GALLING



ITEM 1

PROCEDURE

1. Remove contents from box, verify if all parts listed are present and free from damage. Carefully read and understand all instructions before attempting installation.
Failure to identify damage before installation could lead to a rejection of any claim.

2. Remove the following components and their respective hardware according to the manufacturer’s assembly drawing below (Fig. 1).
 - #7 Fascia Grille
 - #1-2 Bumper Mounts
 - #6 Front Bumper
 - #8 Front Bumper Cover
3. Remove the OEM structural bumper (#2) and its brackets (#3-4) (Fig. 2). (This step does not apply to the Pro XP Sport model).

PRO XP ULTIMATE SHOWN

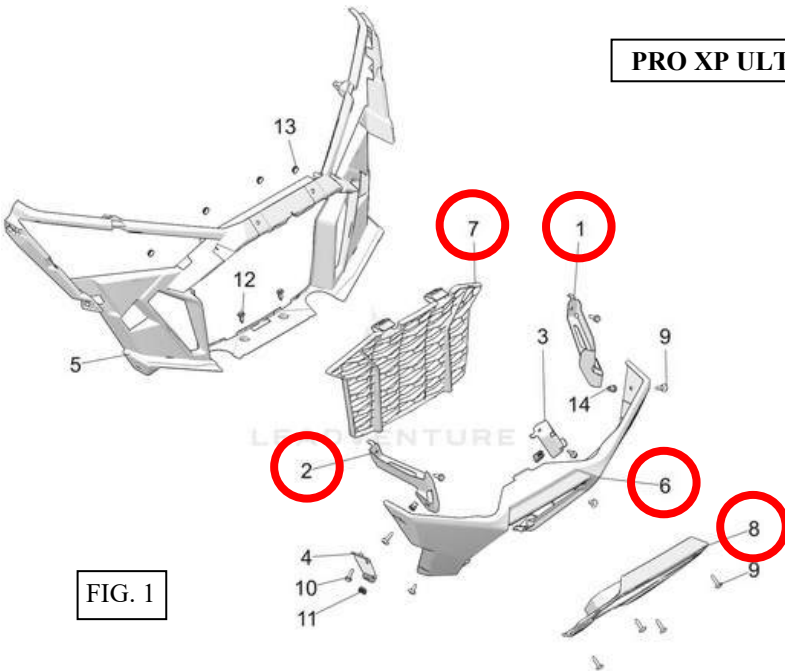


FIG. 1

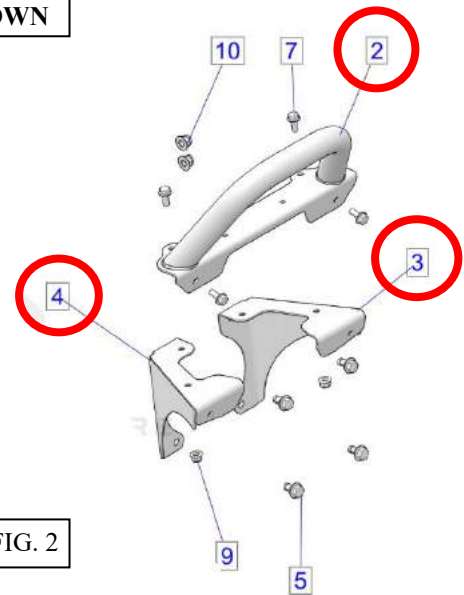
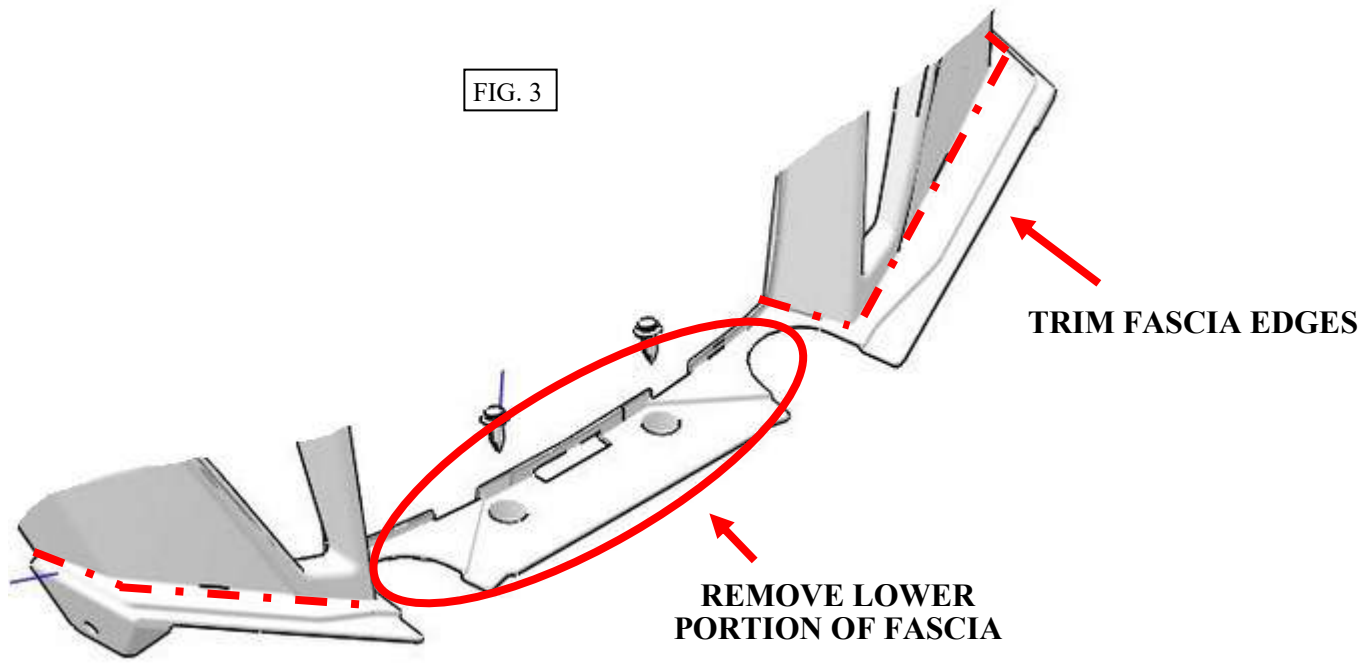
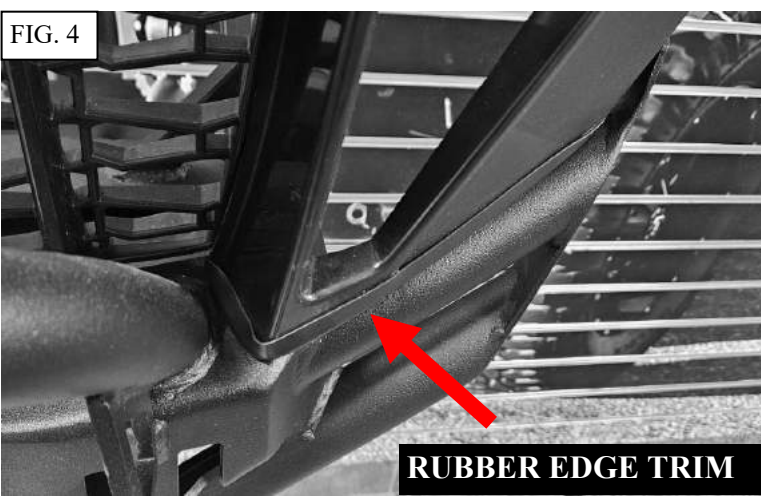


FIG. 2

4. Trim the front fascia according to the image below (Fig. 3).



- 5. The trimmed fascia should look like the image below (Fig. 4). It is recommended to use rubber U channel edge trim to cover the trimmed plastic edges.
- 6. The lower portion of the fascia should be open as shown below (Fig. 5).



7. The bumper utilizes the vehicle's lower frame structure threaded holes for mounting points (**Fig. 6**). Using a 8MM Allen Key, fasten the bumper to the structure with two (2) M12 Hex Drive Screws and two (2) M6 Flat Washers into the threaded holes (**Fig. 7**).

FIG. 6

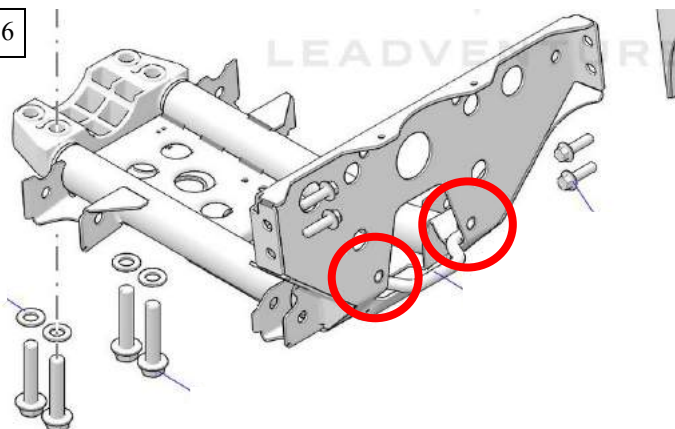
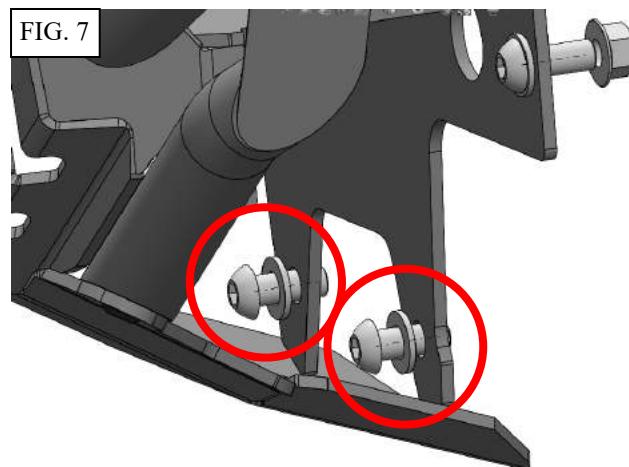


FIG. 7



8. Next, use two (2) M12 Hex Drive Screws, two (2) M12 Flat Washers, and two (2) M12 Serrated Flange Nuts to fasten the bumper to the frame at the locations shown below (**Fig. 8-9**).

FIG. 8

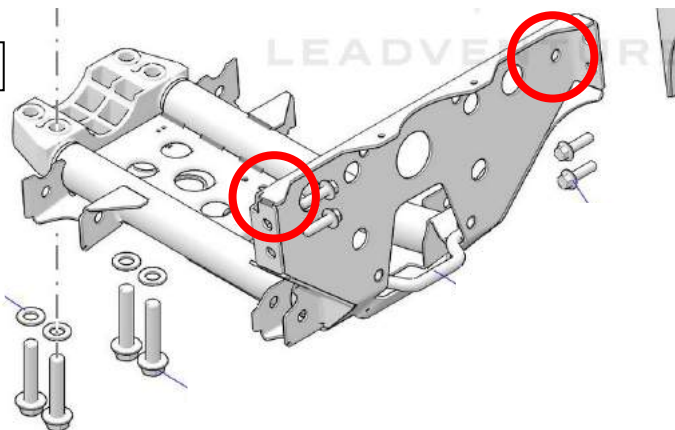
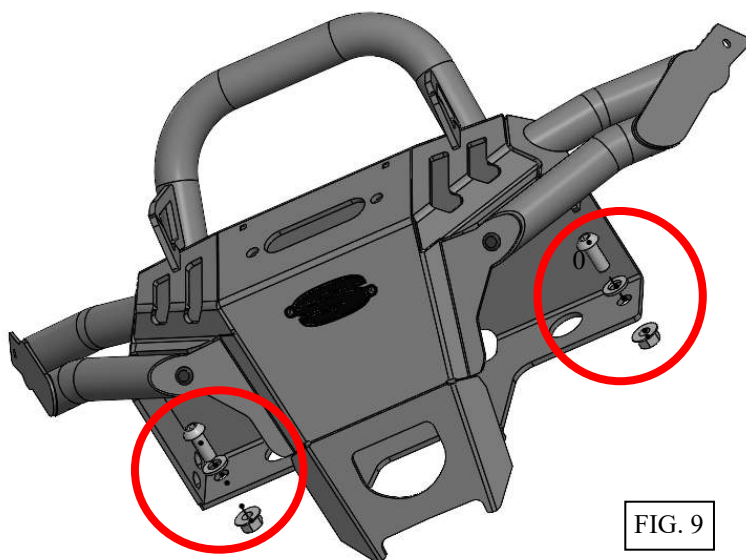


FIG. 9



9. Use a 6MM Allen Key to fasten two (2) M10 Hex Drive Screws, two (2) M10 Flat Washers, and two (2) M10 Serrated Flange Nuts to fasten the bumper at the location shown below (**Fig. 10-11**).

FIG. 10

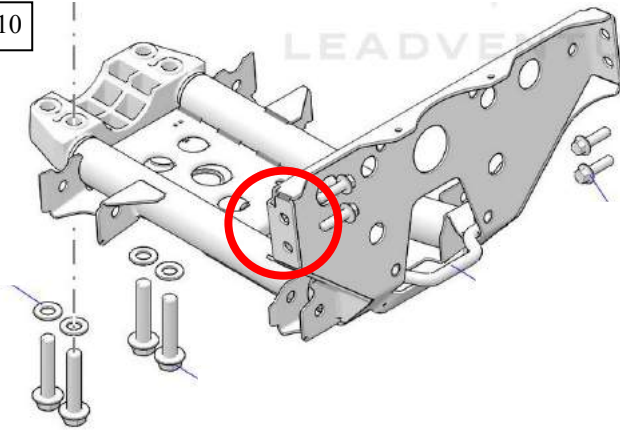
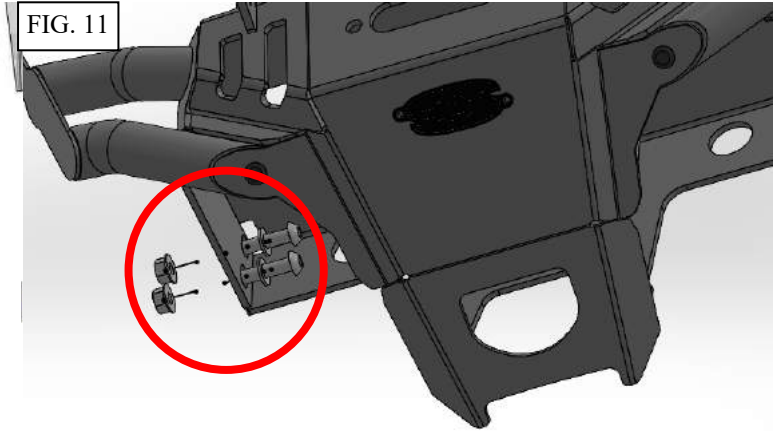


FIG. 11



10. Use a 1/4" drill bit to drill the side of the fascia and fasten the fascia at each side of the bumper with one (1) M6 Hex Drive Screw, one (1) M6 Flat Washer, and (1) Nylon Locknut (**Fig. 12-13**). Use a 10MM socket and ratchet to hold the M6 Nylon Locknut in place while the screw is tightened.

FIG. 12

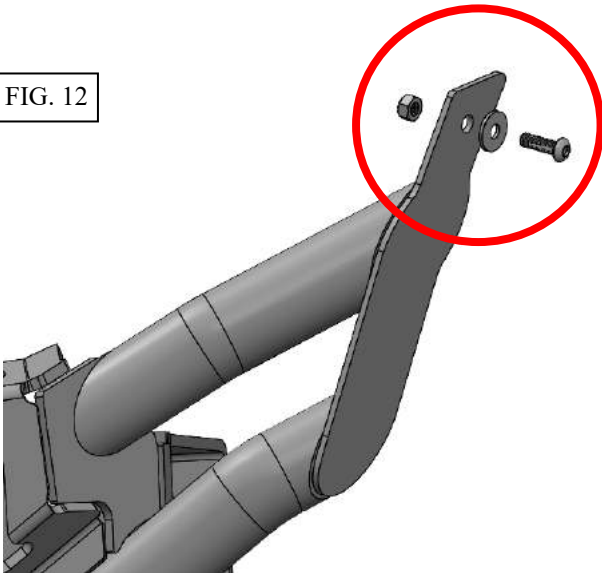


FIG. 13



Note: Two (2) M8 Hex Drive Screws have been provided to be used optionally at the locations shown below to attach a winch to the bumper (Fig. 14).

*It is required to grind down the heads of the two (2) M8 Hex Drive Screws so the bolts that fasten the winch to the bumper do not interfere with the vehicles frame.

This bumper is compatible with the SP winch series from Superwinch. (SP 35, SP 35SR, SP 45, and SP 45SR)

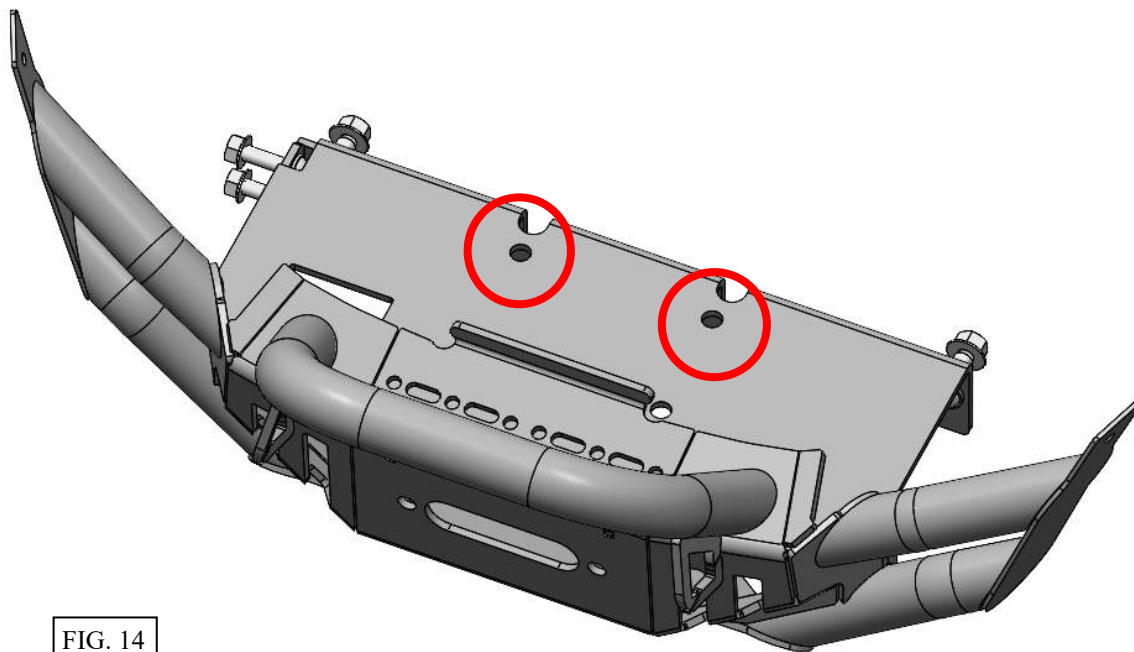


FIG. 14

OPTIONAL AUXILIARY LIGHTING

- This bumper allows for the mounting of two 3” square auxiliary lights at the location shown below using M8 hardware (Fig. 15).

Westin HyperQ and HyperQ B-FORCE Auxiliary Lights are compatible with this UTV Winch Bumper.

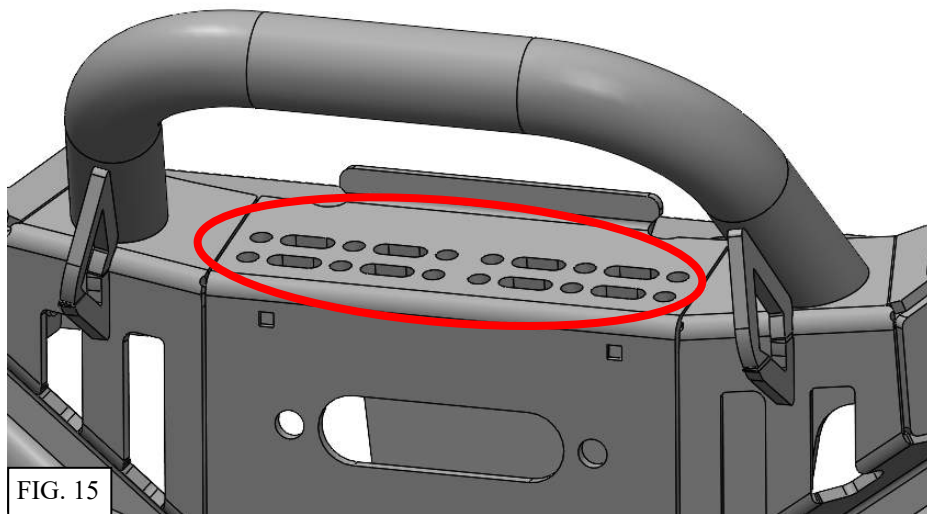


FIG. 15



HyperQ B-FORCE LED
Auxiliary Lights Shown

INSTALLATION COMPLETE



CARE INSTRUCTIONS

- REGULAR WAXING IS RECOMMENDED. DO NOT USE ANY TYPE OF POLISH OR WAX THAT MAY CONTAIN ABRASIVES.
- STAINLESS STEEL PRODUCTS CAN BE CLEANED WITH MILD SOAP AND WATER. STAINLESS STEEL POLISH SHOULD BE USED TO POLISH SMALL SCRATCHES.
- GLOSS BLACK FINISHES SHOULD BE CLEANED WITH MILD SOAP AND WATER.

WESTIN Westin Automotive Products, Inc.
320 W. Covina Blvd
San Dimas, Ca. 91773

Thank you for choosing Westin products
for additional installation assistance please call
Customer Service (800) 793-7846
www.westinautomotive.com



WARNING



Failure to follow these instructions could lead to death, personal injury, and / or property damage.

Failure to follow these instructions could lead to death, personal injury, and / or property damage.

FASTENERS:

All Westin supplied fasteners must be utilized and installed in accordance with the installation instructions and apply torque to the specifications as defined. **DOUBLE CHECK ALL FASTENERS BEFORE INITIAL USE, AND PERIODICALLY IN THE FUTURE TO ENSURE PROPER FUNCTION AND SAFETY.**

DRILLING:

Most Westin products do not require drilling for installation. If drilling is defined as required, use caution when drilling a vehicle. **FAILURE TO REVIEW AN AREA TO BE DRILLED MAY RESULT IN PERSONAL INJURY AND/OR INJURY TO OTHERS AS WELL AS VEHICLE DAMAGE.**

EYE PROTECTION:

ALWAYS WEAR SAFETY GLASSES OR GOGGLES DURING THE INSTALLATION PROCESS TO AVOID PERSONAL INJURY.

MAXIMUM TOWING/CARRYING CAPACITY: (if applicable)

The Westin Receiver Hitches will have a visible tow rating label affixed directly on the product. User should never exceed the vehicle manufacturers maximum tow and weight rating regardless of the capacity of the hitch. **FAILURE TO FOLLOW THESE GUIDELINES WILL VOID THE WESTIN WARRANTY AND MAY RESULT IN PERSONAL INJURY AND/OR INJURY TO OTHERS AS WELL AS VEHICLE DAMAGE.**

FOR CALIFORNIA RESIDENTS ONLY-PROP 65 WARNING:

Some products may contain chemicals such as DEHP, which can cause cancer, birth defects or other reproductive harm. For more info go to www.p65warnings.ca.gov



Westin Automotive Products, Inc.
320 W. Covina Blvd
San Dimas, Ca. 91773