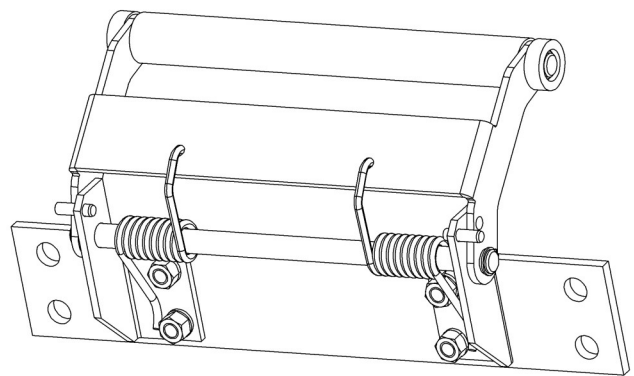




## CABLE TENSIONER



### PART NUMBERS:

S100500: Cable Tensioner  
SI 8/10/12/15/18 Hydraulic Winches  
Standard Drum

S100501: Cable Tensioner  
SI 8/10/12/15/18 Hydraulic Winches  
Narrow Drum



**SAVE THESE  
INSTRUCTIONS**

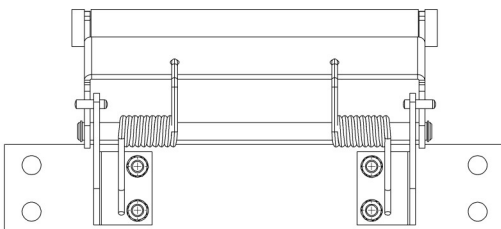
# CABLE TENSIONER PART NUMBERS

CABLE TENSIONER PART NUMBER	COMPATIBLE WINCH MODELS
S100500	SI 8/10/12/15/18 Hydraulic Winches Standard Drum
S100501	SI 8/10/12/15/18 Hydraulic Winches Narrow Drum

## CONTENTS

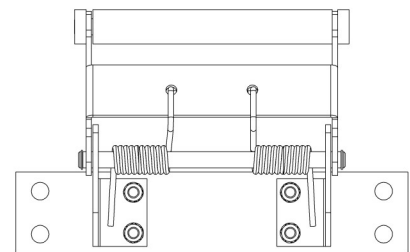
ITEM	QUANTITY	DESCRIPTION
1	2	CABLE TENSIONER
2	4	M12 BOLT (S/S)
3	4	M12 SPLIT LOCK WASHER (S/S)
4	4	M12 FLAT WASHER (S/S)
<b>ANTI-SEIZE LUBRICANT MUST BE USED ON ALL STAINLESS STEEL FASTENERS TO PREVENT THREAD DAMAGE AND GALLING</b>		

CABLE TENSIONER



ITEM 1 (STANDARD DRUM)

CABLE TENSIONER



ITEM 1 (NARROW DRUM)

# INSTALLATION INSTRUCTIONS

1. Remove contents from box, verify if all parts listed are present and free from damage.

Carefully read and understand all instructions before attempting installation.

**Failure to identify damage before installation could lead to a rejection of any claim.**

2. Using the included M12 hardware (items 2-4), attach the Cable Tensioner (item 1) to the winch.

**Note:** The cable tensioner can be mounted on either side as the winch can be used in either direction. Install the cable tensioner on the back of the winch so that the tensioner contacts the top of the drum. See **Figure 1**.

Attach Cable Tensioner to Winch Drum Supports

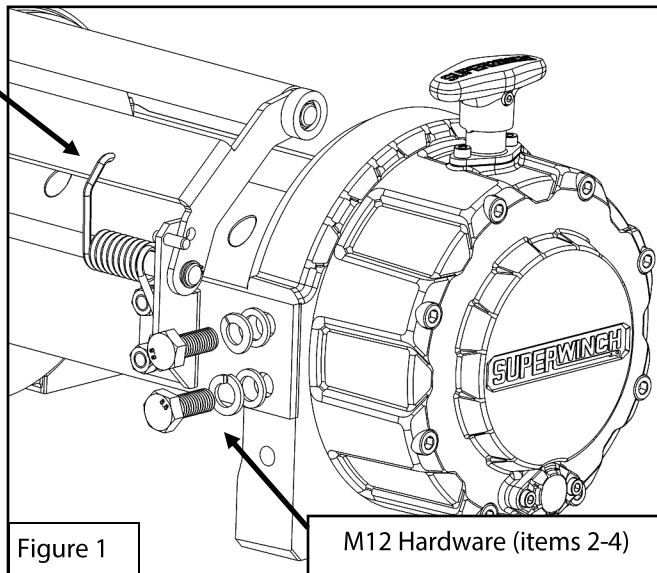
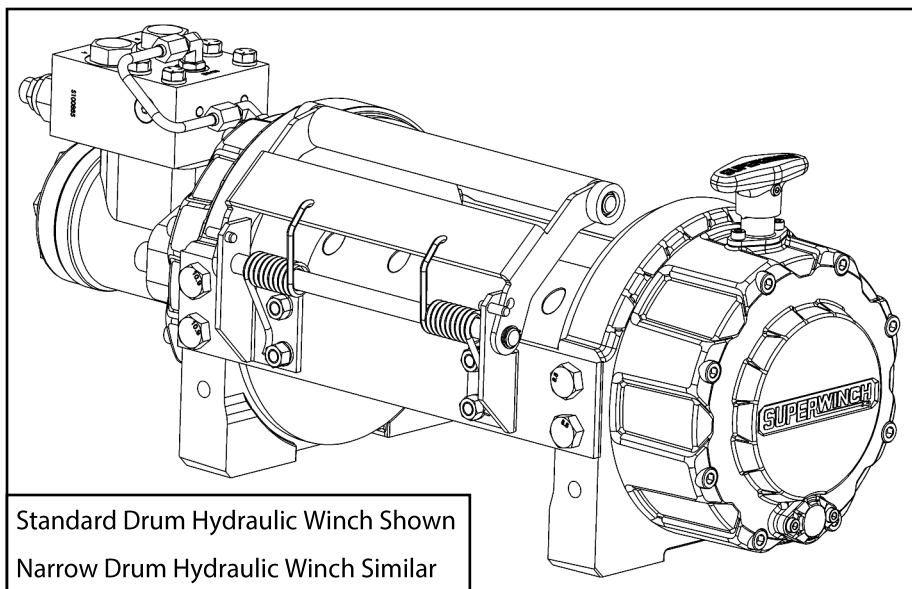


Figure 1

M12 Hardware (items 2-4)

3. Torque M12 Hardware to 50-55 ft-lbs.

**INSTALL COMPLETE**



Standard Drum Hydraulic Winch Shown  
Narrow Drum Hydraulic Winch Similar

# WARNING

Failure to follow these instructions could lead to death, personal injury, and / or property damage.

**FASTENERS:**

All SUPERWINCH supplied fasteners must be utilized and installed in accordance with the installation instructions and apply torque to the specifications as defined. **DOUBLE CHECK ALL FASTENERS BEFORE INITIAL USE, AND PERIODICALLY IN THE FUTURE TO ENSURE PROPER FUNCTION AND SAFETY.**

**EYE PROTECTION:**

**ALWAYS WEAR SAFETY GLASSES OR GOGGLES DURING THE INSTALLATION PROCESS TO AVOID PERSONAL INJURY.**

**FOR CALIFORNIA RESIDENTS ONLY-PROP 65 WARNING:**

Some products may contain chemicals such as DEHP, which can cause cancer, birth defects or other reproductive harm. For more info go to [www.p65warnings.ca.gov](http://www.p65warnings.ca.gov)



For more information on this and other products,  
or to be put in contact with a Superwinch sales  
rep or distributor, call +1 (800) 323- 2031 for US  
or email [info@superwinch.com](mailto:info@superwinch.com)

**SUPERWINCH**  
**320 W. COVINA BLVD.**  
**SAN DIMAS, CA 91773**

© 2019 SUPERWINCH®, Superwinch®, and S Superwinch® (design) are registered trademarks of Superwinch Inc. in the United States and/or other countries.